

WE'RE THE COMPANY THAT  
BRINGS YOU EXCELLENCE.



PRISM MEDICAL

---



## PRODUCT

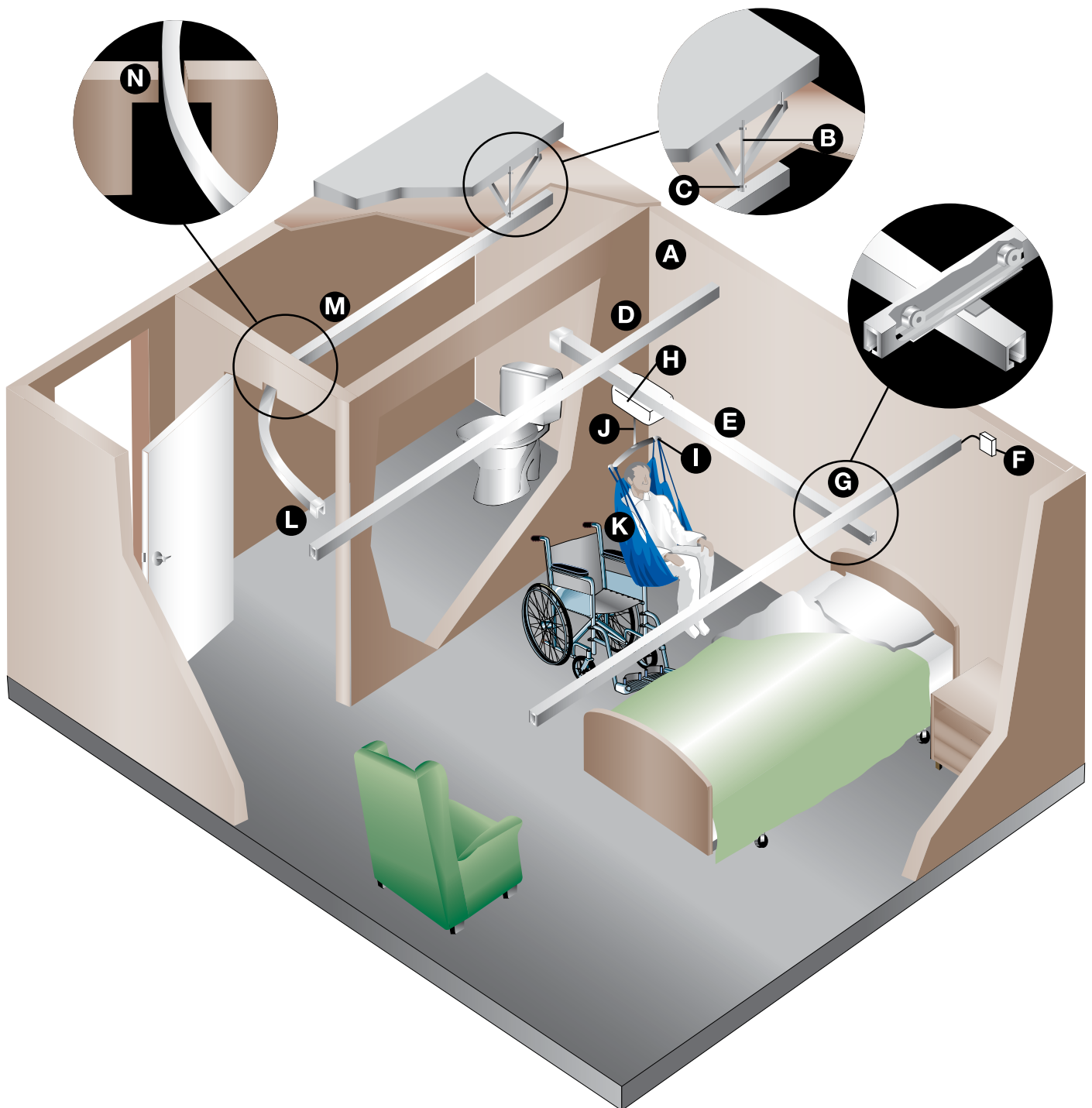
CEILING LIFTS	2-13
TRACKS AND ACCESSORIES	14-19
FREE STANDING SYSTEMS	20-23
FLOOR LIFTS	24-29
SLINGS	30-43
TRANSFER AIDS	44-52
SPECIFICATIONS	53-72

## PLANNING

ASSESSMENT AND PLANNING	73-78
TRAINING AND SUPPORT	79-80

# CEILING LIFTS

## ANATOMY OF A CEILING LIFT SYSTEM



# CEILING LIFTS

## A. STRUCTURAL ATTACHMENT POINT

The attachment point where the ceiling track is installed to the building ceiling structure.

## B. THREADED ROD

This acts as the attachment point between the ceiling track bracket and the upper structure when the ceiling is suspended.

## C. CEILING BRACKET

Ceiling brackets support the lift track.

## D. CEILING TRACK

The ceiling track serves to carry the ceiling lift and/or track accessories.

## E. TRAVERSE BOOM (TRACK)

An option with ceiling track is an X-Y Gantry or Room Covering system. The traversing boom moves along the fixed rails to allow for use of the lift in all areas that the track encompasses.

## F. CHARGING STATION

Can be located at any point along the rail.

## G. X-Y GANTRY

Wheels ride inside the fixed rails and are attached to the traverse boom.

## H. CEILING LIFT UNIT

A variety of lifts are available in differing weight capacities.

## I. CARRY BAR

Attached to ceiling lift strap. Acts as the attachment point to the patient Sling.

## J. LIFT STRAP

Connects lift to carry bar. Raises and lowers via controls on hand control.

## K. SLING

Slings support safe transport or positioning of patient. Sling straps connect to Carry Bar.

## L. GATE ASSEMBLY

Facilitates the transfer from an X-Y gantry system to a linear rail leading to an adjacent room.

## M. LINEAR TRACK

A section of track that can access various points in the room. Available in various lengths and curved designs.

## N. MODIFIED DOOR HEADER

Opening above doorway to allow the track to pass through into another room.



# CEILING LIFTS

## CEILING LIFTS AT A GLANCE

LIFT MODELS	C-300	C-450	C-625	C-1000	P-300	P-440	P-600
Fixed	•	•	•	•			
Portable					•	•	•
Manual traverse	•	•	•	•		•	•
Power traverse		•	•	•			
Power X-Y system		•	•	•			
Lifting weight capacity	300 lbs (136 kg)	450 lbs (204 kg)	625 lbs (283 kg)	1000 lbs (454 kg)	300 lbs (136 kg)	440 lbs (200 kg)	600 lbs (273 kg)
Page	7	6	6	7	8	8	9

FEATURES							
Pneumatic controls		•	•	•		•	•
Infrared remote option		•	•				
Electric controls	•						
On-board controls						•	•
Digital display (LCD)		•	•	•			•
Audible low battery	•	•	•	•	•	•	•
Soft start-stop	•	•	•	•	•	•	•
Auto shut-off	•	•	•	•	•	•	•
Changeable carry bar	•	•	•	•			
Return to charge option		•	•	•			
Constant Charge option		•	•	•			

SAFETY FEATURES							
Emergency stop	•	•	•	•	•	•	•
Emergency power lowering	•	•	•	•	•	•	•
Emergency manual raising or lowering		•	•	•			•
Fail safe over-speed governor	•	•	•	•	•	•	•
Built-in safety limits	•	•	•	•	•	•	•
Slack strap sensor	•	•	•	•	•	•	•

SPECIFICATIONS							
24 volt battery system		•	•	•		•	•
Up/Down speed	1.5"/sec (3.8 cm/sec)	1.8"/sec (4.5 cm/sec)	1.8"/sec (4.5 cm/sec)	1.0"/sec (2.5 cm/sec)	1.4"/sec (3.6 cm/sec)	1.5"/sec (3.75cm/sec)	1.8"/sec (4.5 cm/sec)
Traverse speed		4 speeds	4 speeds	4 speeds			
Lift weight	5 lbs (2.26 kg)	22 lbs (10 kg)	22 lbs (10 kg)	25.5 lbs (11.1 kg)	6.7 lbs (3.1 kg)	10.5 lbs (4.8 kg)	24 lbs (10.9 kg)
Lifting height	82" (2.1 m)	80" (2.0 m)	80" (2.0 m)	77" (1.96 m)	79" (1.96 m)	80" (2.0 m)	80" (2.0 m)

# CEILING LIFTS



## C-450 & C-625

### FIXED CEILING TRACK LIFT

The Prism Medical C-Series delivers innovation, affordability and quality. Ceiling lifts dramatically reduce injuries resulting from the handling of patients/residents in both institutional and homecare settings. The C-Series are designed with a full set of standard features and can be safely operated by a single caregiver. Built for quiet operation, the C-Series provides a smooth and effortless transfer which safely enhances the working conditions of caregivers. The Prism Medical C-series lift has 4 weight capacities, including the C-450 at 450 lbs. maximum capacity and the C-625 at 625 lbs. maximum load, to provide supreme flexibility in the type of patients that can be transferred. For additional flexibility, power traverse is an option.

Incredibly compact but powerful, the C-Series looks good in any setting. With features like a digital display and programmability, a host of standard safety features, and a modular design that allows for easy preventative maintenance, the C-Series is the most advanced ceiling lift available.

See page 53 for detailed specifications.

### PRODUCT HIGHLIGHTS

- Most compact lift of its class which allows for at least 7" (18 cm) of additional lifting height
- Quick lifting speed to reduce patient transfer times
- Quick change batteries for reduced service time
- Audible low battery indicator and visual battery/charge level display
- Digital display that indicates number of lifts, battery levels, and lift status
- Auto shut-off when not in use to conserve battery life
- 80" (2.0 m) strap vertical movement allows you to easily lift from the floor
- Available Return to Charge and Constant Charge options
- Available with Omni-Charge constant charge technology

### EMERGENCY PULL CORD

The red emergency cord disconnects power and immediately stops the lift. Pulling and holding the Emergency pull cord will lower the client safely in the event of malfunction.



### MANUAL EMERGENCY LOWERING/RAISING DEVICE

Found on the side of the lift is a manual option operated by an allen key.



### PNEUMATIC HAND CONTROLS

Prism Medical's pneumatic hand controls are completely waterproof and offer superior reliability.



### DIGITAL READOUT

The display shows battery life, total lifts performed and total time in operation. This feature also allows the user to walk through the programming of several options. The diagnostic mode aids in troubleshooting.



### INFRARED HAND CONTROL

In order to offer complete flexibility in operation of the C-Series lifts, Prism Medical offers optional controls via an Infrared handset.

# CEILING LIFTS

## C-300

### CEILING LIFT

C-300 Ceiling Lift has been designed with needs of Residential Care users in mind. The C-300's technological innovation, compact size and rugged construction make the C-300 the most affordable Ceiling Lift available. Ideal for permanent, temporary or rental placements. It is easily used with fixed, ceiling-installed track, or temporary non-installed, portable track systems.

See page 54 for detailed specifications.

#### PRODUCT HIGHLIGHTS

- Incredibly compact (6.3" x 4.7")
- Transportable
- Safe working load capacity of 300 lbs.
- Lightest ceiling lift available weighing only 5.7 lbs.
- Detachable-swivel-tilt trolley permits simple, light portability between track locations
- Extended span carry-bar (20.5" or 520 mm) to enhance comfort for all clients
- Quick Release System for simple interchange of Carry Bars
- Affordability and low cost maintenance



#### ELECTRIC HAND CONTROLS

Prism Medical's electric hand control is available for the C-300.



## C-1000

### FIXED CEILING TRACK LIFT

Bariatric clients often exceed a lift's safe working load creating an unsafe working environment.

Prism Medical's C-1000 Bariatric Lift, the strongest ceiling lift in its class, makes it possible to safely lift or transfer clients of all sizes with dignity & respect.

See page 55 for detailed specifications.

#### PRODUCT HIGHLIGHTS

- Cycle Count
- Emergency Stop/Emergency Lower
- Four carry bar designs for maximum comfort & functionality
- Quick Release System for simple interchange of Carry Bars
- Available option for weigh scale
- Optional Constant Charge
- Tandem Lifting is possible on dual traverse gantry



# CEILING LIFTS



## ELECTRIC HAND CONTROLS

Prism Medical's electric hand control is available for the P-300.



## P-300

### PORTABLE LIFT

With its 300 lb. capacity and lightweight design (6.7 lb.) this product will meet the needs of even the most demanding environments. This device can be easily relocated to multiple rooms with little effort from the caregiver. This unit is designed to be used with Prism Medical's complete range of slings ensuring that regardless of the client's needs or environment, this product will address the lifting and handling issues encountered by today's caregiver.

See page 56 for detailed specifications.

### PRODUCT HIGHLIGHTS

- Optional, swivel/tilt trolley and an extended span carry-bar for wide torso clients
- Easily used with fixed, ceiling-installed track or temporary non-installed, portable track systems
- Soft start/stop provides comfortable patient transfers
- Audio and visual low battery indicator
- Safety mechanisms: overspeed governor, built in overload protection, and slack strap sensor



## P-440

### PORTABLE LIFT

The P-440 solves many of the problems that make patient transfer complex or difficult. It is lightweight, portable, and designed to provide complete control for the caregiver. In addition, it offers a wide range of safety mechanisms to assure confidence throughout handling occasions. The P-440's robust design and 440 lbs (200 kg) weight capacity ensure that it can be used in the most demanding environments.

See page 57 for detailed specifications.

### PRODUCT HIGHLIGHTS

- Lightweight and portable.
- Integral full-width carry bar with unique contoured shape.
- On-board controls.
- The P-440 is charged with a standard plug and socket.
- Safety mechanisms include an over-speed governor, built-in safety limits, slack strap sensor and emergency lowering.
- Patient safety is assured with positive locking latches, securing the sling each and every time.
- The P-440 offers a comfortable built-in ergonomic handle, allowing the caregiver to carry and transport with ease. The handle also doubles to allow for transfers through a door with no modifications required to the door header.

# CEILING LIFTS

## P-600

### PORTABLE LIFT

The P-600 portable ceiling lift has a weight capacity of 600 lbs making it suitable for the institutional environment. The P-600 is specifically designed for environments where the demand for higher weight capacities is a reality. With the use of the optional cart, this lift can be moved from room to room lowering the initial investment for facilities. The innovative design allows the client to be lifted comfortably using the folding carry bar. The P-600 is designed with a full set of standard features including on-board controls and emergency lowering. Equipped with a digital display, the P-600 offers real-time feedback on battery life and total number of lifts performed.

See page 58 for detailed specifications.



### P-600 ON-BOARD CONTROLS

On-board controls compliment a pneumatic hand control and provide additional control options for maneuvering the lift.

The digital display indicates battery life and offers a lift counter to indicate when preventative maintenance is required.

### PRODUCT HIGHLIGHTS

- Integral full-width carry bar with unique contoured shape.
- On-board controls.
- The P-600 is charged with a standard plug and socket.
- Safety mechanisms include an over-speed governor, built-in safety limits, slack strap sensor and emergency lowering.
- Patient safety is assured with positive locking latches, securing the sling each and every time.
- The P-600 incorporates an articulating carry bar to allow it to sit safely and upright on a cart for easy transport.

### PNEUMATIC HAND CONTROLS

Two button hand controls enable mobile lift control.



# CEILING LIFTS

## FIXED LIFT ACCESSORIES



### EXTRA WIDE CARRY BAR

For use of clients with a large torso or generally over 375 lbs., the extra wide Carry Bar makes for comfortable and safe transfers and easy sling attachment. Prism Medical's Quick Release System attachment makes it simple to swap carry bars to add a detachable scale.



### CARRY BARS

#### C-SERIES AND C-SERIES LOCKING

A suspended bar from the lift strap utilized for connecting slings and carrying the patient. Available with or without locking clips.



### TANDEM BARIATRIC SYSTEM CARRY BAR

Prism Medical's Tandem Bariatric Carry Bar allows users to take full advantage of dual motor positioning, giving greater control of a client's weight between the two (torso and leg) lifting motors.



### 4-POINT CARRY BAR

The Four Point (X-Style) Carry Bar with Quick Release has broadly-spaced attachment points for a slips shoulder and leg straps, improving the comfort of wide clients. The Quick Release System permits easy interchange of Carry Bars, while the sling strap's multiple loops allow a large range of client positioning.



### ROOM TO ROOM CARRY BAR

The Room to Room (RTR) Carry Bar is equipped with two attachment points to allow a carabiner to clip in place. With two lifts installed on opposite sides of a door a transfer can be completed through the door with no modification to the door header.



### MORGUE CARRY BAR

The Morgue Carry Bar is used in conjunction with the Morgue Sling (4 Bands) to allow for optimal transfers in morgue applications. The Morgue Carry Bar has a weight capacity of 800 lbs (363 kg).

# CEILING LIFTS



## CARRY BAR HOLDER

The Carry Bar Holder offers a means to store the carry bar against the wall and a convenient location to store slings.



## QUICK RELEASE SYSTEM

The exclusive QRS Carry Bar attachment permits you to change you Bariatric lift's carry bar or scale quickly and easily – allowing an efficient means to switch between Bariatric and standard carry bars. Compatible with all Prism Medical lifting accessories, QRS's user-friendly lever requires no tools and is simple enough to be operated by finger-tip.



## CHARGER END-STOP

A Charger End-Stop is used with lifts permanently installed in the track (C-Series and TA Plus). It acts as both an end-stop and the charger docking station.



## MID-TRACK CHARGER STATION

The Mid-Track Charger allows the lift to be charged at any location along the track.

# CEILING LIFTS

## PORTABLE CEILING LIFT ACCESSORIES



### TROLLEY ASSEMBLY

The swivelling portable trolley is inserted into the track to act as wheels for portable ceiling lifts. One trolley is required for each track location.



### QUICK CURVE TROLLEY

This swivelling trolley is specifically designed for use with the Quick Curve track design (see page 14) allowing for an 8" turning radius.



### P-300 TROLLEY

The swivelling portable trolley is inserted into the track to act as wheels for ultra-portable 300 lbs. ceiling lifts. One trolley is required for each track location.



### C-300 TROLLEY

This swivelling trolley is specifically designed for use with the ultra-portable 300 lbs. lift capacity C-300 lift. The aluminum shackle clasp allows for safe yet convenient detachment and attachment for patient handling on the go.



### FIXED LANYARD

Fixed lanyards are available in 12", 24", and 36" lengths to accommodate 8', 9' and 10' ceilings. These are attached to the portable trolley to facilitate the attachment of the portable ceiling lift.



### ADJUSTABLE LANYARD 12-16", 16-24" AND 24-40"

Adjustable lanyards are available in three different lengths to accommodate different ceiling heights. These are attached to the portable trolley to facilitate the attachment of the portable ceiling lift.



### TRANSPPOINT END-STOP 18-24", 24-36" AND 30-48"

Transpoint End-Stops come in three different lengths to accommodate different ceiling and door heights. These are attached to the track at door headers (or ceiling height changes) to allow for a transfer through the door without requiring any door header modifications.



### ALUMINUM REACHER

Used to attach the portable lift to the trolley. Available in 24" and 36" designs to accommodate different ceiling heights.

## CEILING LIFT WEIGH SCALE OPTIONS

### C-SERIES FIXED WEIGH SCALE KIT

The C-Series Fixed Weigh Scale Kit is sold complete with all the hardware to attach it to a C-Series lift strap. The weigh scale offers a digital readout in either pounds or kilograms.



### SCALE ASSEMBLY KIT FOR C-SERIES SHACKLE ARM

The C-Series Scale Kit for Shackle Arm allows the scale assembly to be portable and attached to multiple lifts that are equipped with a Shackle Arm assembly.



### QUICK RELEASE SCALE

The exclusive QRS Carry Bar attachment permits you to change your Bariatric lift's Carry Bar or scale quickly and easily – allowing an efficient means to switch between Bariatric and standard carry bars. Compatible with all Prism Medical lifting accessories, QRS's user-friendly lever requires no tools and is simple enough to be operated by finger-tip.



### PORTABLE CEILING LIFT WEIGH SCALE

The Portable Weigh Scale can be used with the P-440 and the P-600 Ceiling Lifts.



### C-SERIES SHACKLE ARM ASSEMBLY

The Shackle Arm Assembly is attached to the C-Series Lift Strap and Carry Bar and allows the attachment of the Scale Assembly Kit for C-Series Lifts.



### C-SERIES WEIGH SCALE HOOK ASSEMBLY

The Weigh Scale Hook Assembly is attached to the scale to allow it to connect to the C-Series Shackle Arm. The lever is used to unlock the hook to allow the Scale Assembly to be removed.

# TRACKS & ACCESSORIES

## TRACK SYSTEM



### TRACK

Prism Medical standard aluminum track can be used in linear rail applications or as the support rails for an X-Y gantry system. Available in 6'4" (1.93 m), 8'2" (2.5 m), 10'2" (3.07 m), and 16'5" (5.0 m) lengths.



### SUPERTRACK

The thicker profile of the Prism Medical SuperTrack allows for extended spans between supports, making it ideal as the traverse boom for X-Y gantry systems and for Wall Mounting applications. Available in 10' (3.0 m) and 12'6" (3.75 m) lengths.



### TRACKPLUS

Prism Medical's Trackplus is most commonly used to accommodate longer, unsuspended spans. Available in 16.5' (5.0 m) and 19'8" (6.0 m) lengths.

See page 65 for detailed specifications.



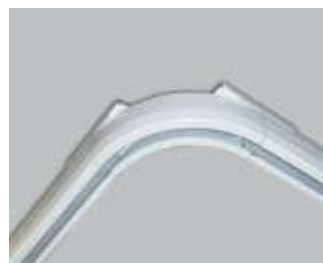
### 45 DEGREE CURVE TRACK

Curved tracks are used to change the direction of tracks in a single track system. The 45 Degree Curve can be used with other straight or curved tracks. Available in "inside" and "outside" designs to allow for the finished side of the track bracket to remain consistent throughout the installation.



### 90 DEGREE CURVE TRACK

Curved tracks are used to change the direction of tracks in a single track system. The 90 Degree Curve can be used with other straight or curved tracks. Available in "inside" and "outside" designs to allow for the finished side of the track bracket to remain consistent throughout the installation.



### QUICK CURVE

The Quick Curve is Prism Medical's newest addition to our track options. This patent pending technology is currently available for the P-Series and C-Series Manual Ceiling Lifts. The Quick Curve is a 90 degree curve with a turning radius of 8" potentially avoiding the requirement for more costly installation options. Mounted only to the adjacent sections of straight track, the Quick Curve offers a more cost effective installation.

# TRACKS & ACCESSORIES

## TRANSSTRIP TRACK



### TRANSSTRIP TRACK

Prism Medical standard Transstrip track is available in 10'2" (3.07 m) lengths and is used for Power XY gantry and Omni-Charge (constant charge) applications. The slot at the top of the track allows for the insertion of the Transstrip.



### TRANSSTRIP SUPERTRACK

Prism Medical Transstrip SuperTrack track is available in 12'6" (3.75 m) lengths and is used for Power XY gantry and Omni-Charge (constant charge) applications. The slot at the top of the track allows for the insertion of the Transstrip.



### TRANSSTRIP TRACKPLUS

Prism Medical Transstrip TrackPlus track is available in 19'8" (6.0 m) lengths and is used for Power XY gantry and Omni-Charge (constant charge) applications. The slot at the top of the track allows for the insertion of the Transstrip.

## TRACK END CAPS

The End Caps are used at the end of the track to maintain an aesthetically pleasing installation, and ensure the final finished appearance for the complete assembly.



### TRACK END CAP



### SUPER TRACK END CAP



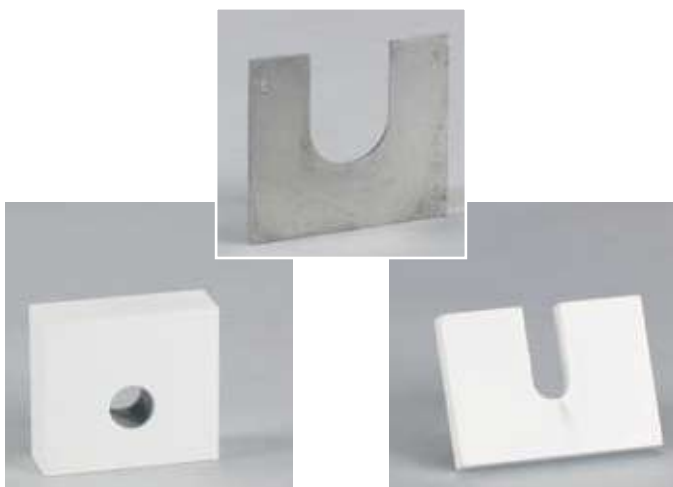
### TRACKPLUS END CAP

# TRACKS & ACCESSORIES



## END-STOP & END-STOP SAFETY PIN

The End-Stops hold the lift or X-Y Gantry trolley set inside the track and are located at each end of the track. The End-Stop Safety Pin is an additional safety measure.



## ALUMINUM SHIMS

Aluminum Shims are used to level track or suspend track below the ceiling. Shims are available in 1", 3/8", and 0.08" sizes.



## X-Y GANTRY MANUAL TRAVERSE

The Traversing X-Y Gantry Trolley Set is used to connect the traversing boom to the parallel support rails for an X-Y gantry system.



## X-Y GANTRY MANUAL TRAVERSE ABOVE MOUNT

The X-Y Gantry Manual Traverse - Above Mount is used where additional lifting height is required. The Traversing rail travels at the same height as the support rails.

# TRACKS & ACCESSORIES

## WALL MOUNT BRACKET

The Wall Bracket allows for track to be installed directly into the wall where ceiling mounted applications are not practical.



## WALL MOUNT 6" CONNECTOR BRACKET

Sold separately, the Wall Mount 6" Bracket is used with the Heavy Duty Wall Bracket to attach the track.



## WALL MOUNT SYSTEM

Prism Medical's Wall Mount System is used as an alternative to ceiling mounting. The system comes complete with all hardware and can be attached directly into drywall provided that it is at least 3/8" thick. Quickly installed, the Wall Mount System offers the same stability as ceiling installations.

# TRACKS & ACCESSORIES

## POWER MULTI-PORT TURNTABLE

The Power Multi-port Turntable offers the end-user ultimate flexibility in situations that require access to a number of transfer locations. The turntable provides 14 take-off points.



## MULTI-PORT TURNTABLE 16 PORT

The Multi-Port Turntable provides the end-user with ultimate flexibility in lift and transfer situations that demand a wide range of locations. The turntable provides 15 different ceiling track take-off points at 22 degree intervals. The turntable is easily rotated with the use of a simple pull cord mechanism.



## QUICK-FIT TURNTABLE

The Quick-Fit Turntable allows for directional change at 90 degree intervals. The turntable is rotated using a simple pull cord mechanism.



## TRANSITION-GATE

The Transition-Gate enables a transfer between an X-Y gantry and a single track. The Transition-Gate's revolutionary design does not require the use of any electrical components. Simply driving the lift into the gate locks it in place to transfer to the other rail. Also available for Track Plus.



## CEILING BRACKETS (3" & 6")

The 3" Ceiling Bracket is used to fasten the track to the building structure. Brackets are spaced for load distribution. The 6" Connector Bracket is used at track joints. Track brackets are available with either 3/8" or 1/2" slotted openings to accommodate the respective mounting hardware.



## CONNECTOR BRACKET - RIGHT AND LEFT

The Connector Brackets are used to fasten the track to the building structure. They are used at track joints allowing curved track to be reversed.

# TRACKS & ACCESSORIES

## X-Y GANTRY POWER TRAVERSE

The Traversing X-Y Gantry Power Traverse Trolley Set allows for full power operation of the X-Y gantry boom. The boom travel is activated via buttons on the ceiling lift hand control.



## X-Y GANTRY TP MANUAL TRAVERSE

The Traversing X-Y Gantry Trolley Set is used to connect the traversing boom to the parallel support rails for an X-Y gantry system. The difference in the model for the Transportable Lifts such as the P-440 and P-600 is that it does not include any charging connection hardware.



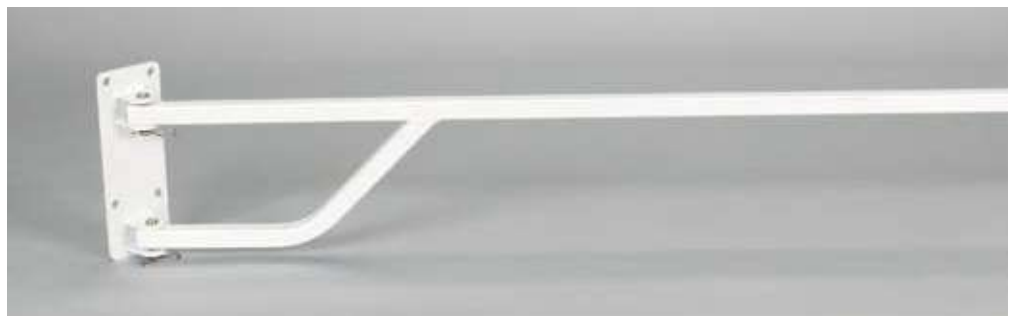
## SHOWER CURTAIN ROD ADJUSTABLE

The Adjustable Shower Curtain Rod comes complete with shower curtain and accessories. This Shower Curtain Rod allows for the use of ceiling track in standard bathtubs and eliminates the need for a standard shower curtain rod that would impede the travel of the lift.



## CURTAIN BOOM AND BRACKET

The Curtain Boom and bracket is utilized in certain X-Y Gantry installations (Semi-Private Rooms) to maintain privacy between beds. See page 50-51 for additional privacy curtain solutions and detailed specifications.



See page 63-64 for detailed specifications.

# FREE STANDING SYSTEMS



## PRESSURE FIT SYSTEM

Introducing, the unique and portable Prism Medical Pressure Fit System. The vast array of track designs offers all of the benefits of standard ceiling lifts with no attachment to structure required. Minimal installation is required because the system works by exerting equal pressure between the floor and ceiling to stabilize the unit. Constructed of high strength aluminum with a 440 lb. weight capacity, the Pressure Fit is suitable for many situations. Our unique patent pending one step height adjustment allows for set up in just minutes and the incorporated level and pressure gauge indicator allow for easy and accurate installation. These free standing rail systems address a number of bedroom & bathroom situations making it suitable for most situations.

## PRODUCT HIGHLIGHTS

- Patent pending one step height adjustment – set up in less than two minutes with no tools
- Constructed of High strength aluminum with a 440 lb weight capacity
- Available in 2, 3, and 4 post designs
- Bath adapter allows for transfers into standard bathing systems
- Height adjustable from 7'-9'
- Multiple track installation points accommodates non-flush ceiling impediments or lights
- Slim profile uprights – approximately 1" wide
- Easy to read pressure gauge indicator ensures safe installation
- Incorporated level for accurate installation
- Each component weighs no more than 25lbs
- Pressure between floor and ceiling will ensure that ceilings are not damaged
- For use with all Prism Medical portable ceiling lifts
- Satisfies requirements for temporary or permanent use
- Optional carry bag



# FREE STANDING SYSTEMS

## FST-300 FREE STAND TRACK SYSTEM

The innovative FST-300 Free Stand Track System has been designed with both caregiver and client in mind. Easy to assemble, this portable ceiling track system, comes ready to use and can be assembled by one person. Assembly takes just minutes with no tools required. The FST-300 is height adjustable and no component weighs more than 17 lb. Secure and sturdy, the FST-300 can be used for both temporary and permanent applications with no modifications required to the environment and the customized roller bag allows for easy transport. The FST-300 is designed for use in conjunction with Prism Medical's industry leading C-300 ceiling lift system.



## PRODUCT HIGHLIGHTS

- The strong, rated capacity of the track frame is 300 lbs.
- The entire lightweight unit is only 46 lbs.
- The lift frame is easily assembled in about 6 minutes, without any tools, by a single person
- Adjustable in height from 5.0- 7.5 feet
- 96 inches wide providing transfer space for bed widths of up to 60 inches and in many bathroom situations.
- The lift frame is highly transportable through the use of a wheeled carry bag
- Optional cover over the A-frame posts provides convenient pockets for storage of bedside or lift/transfer accessories

# FREE STANDING SYSTEMS



## SEQUOIA 2-POST SYSTEM

Offering flexibility and versatility, the Sequoia is a two post frame system used in conjunction with the portable P-440 and P-300 ceiling lifts. This frame is often used as a temporary measure or where ceiling lift track installations are not possible. It is easily assembled without any tools and can be adjusted in height and length to optimize use.

## COMPONENTS

- (1) Transfer Rail
- (1) Trolley Set
- (2) Upright Posts
- (2) Base Supports

## SPECIFICATIONS

Weight Capacity: 440 lbs (200 kg)  
Total Unit Weight: 90 lbs (41 kg)  
Width: 38" (96.5 cm)  
Length: Adjustable from 64" (173 cm) to 108" (274 cm)  
Height: Adjustable from 81" (206 cm) to 105" (267 cm)



## SQUARE 4-POST

The 4-Post Freestanding Gantry offers all of the flexibility of an X-Y Gantry System with no requirement for permanent installation. Can be used with Fixed or Portable Ceiling Lifts.

## COMPONENTS

- (2) X-Y Gantry Trolleys
- (1) Gantry Rail
- (4) Support Rails
- (4) Upright Posts with Leveling Feet

## SPECIFICATIONS

Weight Capacity: 400 lbs (181 kg)  
Height: 7' (2.1 m)  
Dimensions: 8'9" (263 cm) x 8'9" (263 cm)

# FREE STANDING SYSTEMS

## T-SHAPE 3-POST BEDROOM SYSTEM

The 3-Post Bedroom System allows for the use of a ceiling lift over a standard hospital bed with no permanent installation required. The two rail system allows for transfer to and from bed as well as repositioning in bed.

### COMPONENTS

- (1) Transfer Rail with Trolley
- (1) Repositioning Rail with Trolley
- (2) Cross Braces
- (2) Bed Upright Posts with Leveling Feet
- (1) Room Upright Post with Leveling Feet

### SPECIFICATIONS

- Weight Capacity: 400 lbs (181 kg)
- Height: 7' (2.1 m)
- Transfer Track: 4'8" (132.5 cm)



## CROSS SHAPE 3-POST BATH SYSTEM

The 3-Post Bath System allows for the use of a ceiling lift over a standard bathtub with no permanent installation required.

### COMPONENTS

- (1) Transfer Rail with Trolley
- (1) Support Rail
- (2) Upright Posts with Leveling Feet
- (1) Weighted Upright Post with Leveling feet and Counterweights

### SPECIFICATIONS

- Weight Capacity: 400 lbs (181 kg)
- Height: 7' (2.1 m)
- Support Track: 4'10" (145 cm)
- Transfer Track: 7'3" (218 cm)
- Minimum Distance Between Weighted Post and Support Track: 5' (150 cm)



# FLOOR LIFTS



The S-440 is designed with ease of use and flexibility in mind. It is made of aluminum so it is lightweight and easy to move. The foot plate is removable to allow for gait training and ease of cleaning. The shin pad pivots and is height adjustable, as well as forward-and-back. Used in conjunction with Prism Medical slings, the S-440 maximizes patient comfort and caregiver ease of use.

## WALL MOUNT CHARGER

Available for all battery powered floor lifts and stand aids, the wall mount charger provides an additional charging option to the on-board charger provided. Battery packs can be removed and charged remotely. With the purchase of an additional battery, the lift can be operational at all times. Shown with Wall Mount Bracket (sold separately).



## S-440

### STAND AID FLOOR LIFT

The Prism Medical S-440 Sit-to-Stand is an easy-to-use stand-up floor lift, designed for patients/residents with reduced mobility and physical strength who are unable to raise themselves independently. Patients must be able to weight bear and have a degree of self support. The S-440 Sit-to-Stand transfers the patient standing up, in a more dignified manner, providing the patient with a greater sense of security and the caregiver with improved working conditions. The S-440 Sit-to-Stand spreads the front legs in a full V-Spread, while the rear legs are fixed, thus providing a wide and stable base.

See page 59 for detailed specifications.

### PRODUCT HIGHLIGHTS

- Lightweight, aluminum construction
- Wide spreading legs provide a stable base
- Horizontally/Vertically adjustable shin pad
- Removable foot plate
- Ergonomically designed handles
- Includes Medium Stand-Aid Harness and a Stand-Aid Belt



## SA-350 STAND AID

The SA-350 Stand Aid, is a compact, ergonomic and lightweight stand assist lift, providing for greater access and ease of mobility. The design, including adjustable shin pad and multiple sling attachments, maintains all of the functionality expected of a stand aid. This lift is perfect for homecare, nursing home and skilled nursing environments. The lift also incorporates our FREECOTE anti-microbial coating. Ideal for partial weight bearing clients that require an active mechanical assistance standing and transferring from one seated position to another.

### PRODUCT HIGHLIGHTS

- 350lb (159kg) SWL
- Lightweight, high strength steel construction
- Industry leading electronics
- Non-Proprietary battery system
- On-Board charging
- Electric Emergency Lowering
- Manual Emergency Lowering
- Electric Base Open and Close
- FREECOTE Anti-Microbial Coating
- Optional: Lift Counter available
- Optional: Spare Battery + Charging System



## SA-400 STAND AID

The Prism Medical SA-400 is an easy-to-use stand aid that engages the patient/resident and requires minimal assistance from the caregiver. The padded split seat allows for easy loading and unloading. Designed for clients who require limited assistance yet have sufficient strength and stability, the SA-400 offers simple solution and added security for seat to seat transfers.

The SA-400 is designed with ease of use and flexibility in mind. It's lightweight and easy to move. The padded split seat and shin pads allow for a comfortable transfer for the client. The SA-400 maximizes patient comfort and caregiver ease of use.

See page 59 for detailed specifications.

### PRODUCT HIGHLIGHTS

- Lightweight, steel construction
- Sturdy yet easily fits through narrow doorways
- Padded split seat
- Ergonomically designed handles
- Ease of use
- Optional security harness



# FLOOR LIFTS



## F-450

### TOTAL FLOOR LIFT

The F-450 is equipped with all of the same standard features of the F-550. The compact design allows the functional use of this product in environments where space may be an issue.

See page 60 for detailed specifications.

### PRODUCT HIGHLIGHTS

- Lightweight, aluminum construction
- Leg opening allows for 55.5" (139 cm) of clearance
- Unique four point carry bar which provides additional lifting height and enhanced patient comfort
- Integrated charger or optional wall mounted charger
- Ergonomically designed handles
- Allows for easy positioning of patient with no mast interference



## F-600

### TOTAL FLOOR LIFT

The F-600 is equipped with all of the same standard features of the F-550. The increased weight capacity is a perfect solution for facilities where there are increasing demands for bariatric transfers.

See page 60 for detailed specifications.

### PRODUCT HIGHLIGHTS

- Lightweight, aluminum construction
- Leg opening allows for 60" (150 cm) of clearance
- Unique four point carry bar which provides additional lifting height and enhanced patient comfort
- Integrated charger or optional wall mounted charger
- Ergonomically designed handles
- Allows for easy positioning of patient with no mast interference

# FLOOR LIFTS

## F-550

### TOTAL FLOOR LIFT

For the most strenuous tasks, the Prism Medical F-550 Total Lift is your most cost effective solution. This total lift spreads the entire length of the legs in a conventional V shape formation, making for a very stable lift. The F-550 is equipped with maneuverable, high quality castors. The lift base allows for 59" (147.5 cm) of clearance to accommodate even the largest of chairs. The lift comes standard with a unique four point carry bar which provides additional head room clearance, enhancing patient/resident comfort.

See page for 60 detailed specifications.

### PRODUCT HIGHLIGHTS

- Lightweight, aluminum construction
- Leg opening allows for 59" (147.5 cm) of clearance
- Unique four point carry bar which provides additional lifting height and enhanced patient comfort
- Integrated charger or optional wall mounted charger
- Ergonomically designed handles
- Allows for easy positioning of patient with no mast interference
- Available in an additional low profile design to accommodate low height beds



From the bottom up, the F-550 is designed to make patient transfers easier and safer. It's made with aluminum so that it's lighter and easier to move. The castors are dual-wheeled, allowing it to roll smoothly on any type of flooring (including carpet). Handles are ergonomically designed to be comfortable for any height caregiver, and the legs spread wider to provide greater stability. All of that, plus incredible lifting range and 550 lbs (250 kgs) weight capacity.



### F-550 FIXED WEIGH SCALE KIT

An optional weigh scale offers a digital readout at the push of a button.



# FLOOR LIFTS



## M-330

### TOTAL FLOOR LIFT

The Prism Medical M-330 is a new generation of mobile floor lifts that provides a compact, ergonomic design to make lifting and handling easier and safer. The new ergonomically designed handset and push handles provide simple operation of the lift while allowing the safe movement and positioning of the lift.

See page 61 for detailed specifications.

### PRODUCT HIGHLIGHTS

- Constructed using durable steel, which provides easy cleaning
- FREECOTE, antimicrobial finish included
- Ergonomically designed handles for easy positioning
- New Six Point carry bar to optimize space for the client & caregiver
- Heavy duty 4" castors providing easy maneuverability on all surfaces
- Leg opening allows for 39" of clearance



# FLOOR LIFTS

## M-400

### TOTAL FLOOR LIFT

The Prism Medical M-400 is a new generation of mobile floor lifts that provides a compact, ergonomic design to make lifting and handling easier and safer. The new ergonomically designed handset and push handles provides simple operation of the lift while allowing the safe movement and positioning of the lift.

See page 61 for detailed specifications.



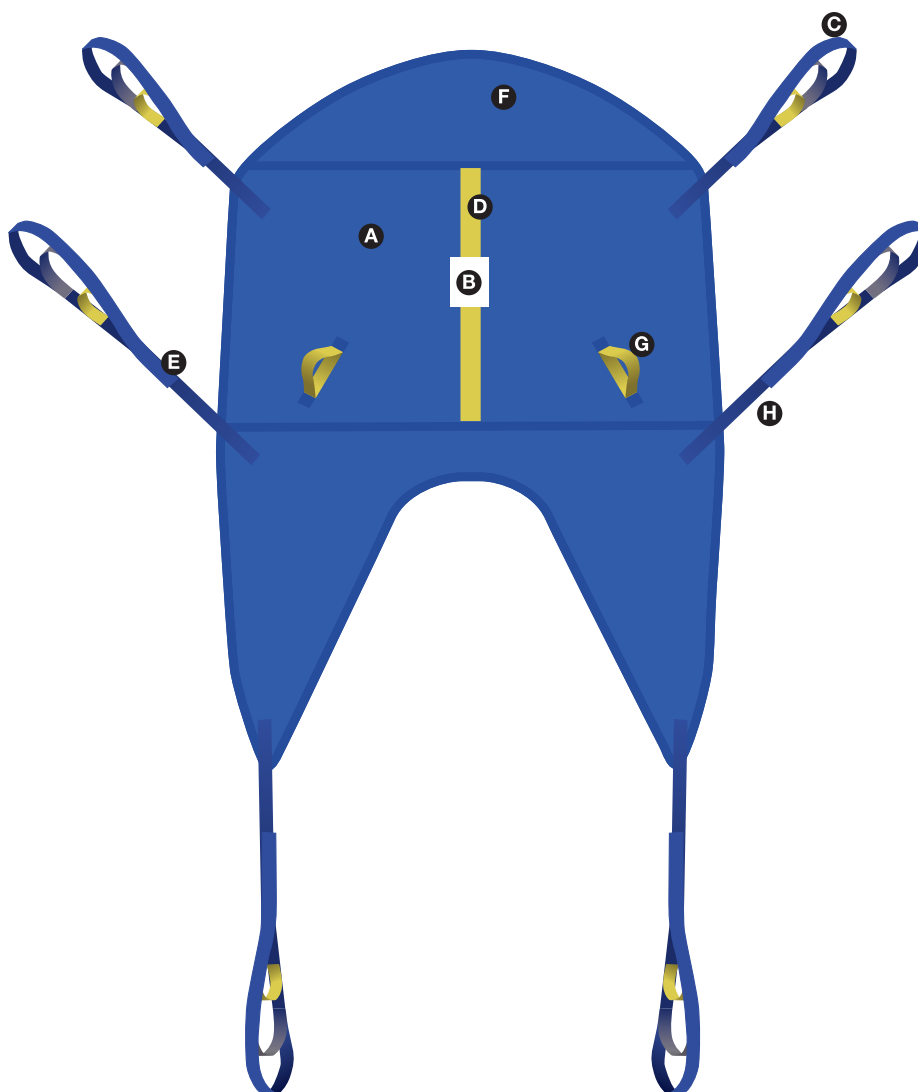
### PRODUCT HIGHLIGHTS

- Constructed using durable steel, which provides easy cleaning
- FREECOTE, antimicrobial finish included
- Ergonomically designed handles for easy positioning
- New Six Point carry bar to optimize space for the client & caregiver
- Heavy duty 4" castors providing easy maneuverability on all surfaces
- Leg opening allows for 42" of clearance



# SLINGS

## ANATOMY OF A SLING



### A. FABRIC

Available in nylon, mesh, quilted or padded materials.

### B. LABEL

Identifies serial number, weight capacity, size, and washing instructions.

### C. ATTACHMENT LOOPS

Multiple color coded attachment loops attach to carry bar or portable lift and allow for adjustments to optimize patient comfort and positioning.

### D. SIZE INDICATOR

The stripe along the spine of the sling and handles are color coded as a quick reference for size.

### E. STRAPS

Enable the secure fastening of sling for patient stability and comfort.

### F. OPTIONAL HEAD SUPPORT

Provides additional support for clients with limited control. Optional on the Universal Sling and standard with the Hammock Sling.

### G. SLING HANDLES

Used to aid in maneuvering client.

### H. OPTIONAL SLING IDENTIFICATION

Used for identification purposes. Useful for tracking while laundering. See page 34 for details.

# SLINGS

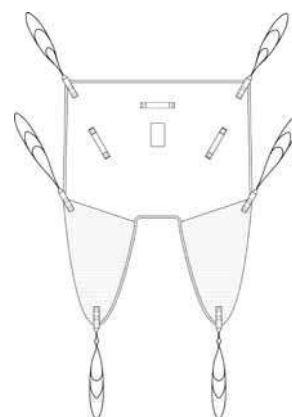
SLINGS	UNIVERSAL	HAMMOCK	HYGIENE	POSITIONING	BAND	WALKING*	DELUXE WALKING*	STANDING SLING**	WALKING REHAB	FULL STANDING	TRITURNER	MORGUE	STRECHER
<b>MATERIALS</b>													
Mesh	•	•		•									
Quilted	•	•	•		•			•			•		
Padded	•		•			•	•		•		•		
Nylon				•									
Non-Slip													
Disposable Padded	•										•		
Disposable Polyester				•									
Disposable Quilted					•								
<b>SIZES</b>													
Junior	•	•	•						•		•		
Small	•	•	•		•			•	•		•		
Medium	•	•	•		•			•	•		•		
Large	•	•	•		•			•	•		•		
X-Large	•	•	•						•		•		
XX-Large	•	•	•						•		•		
Standard													
Custom	•	•	•	•	•	•	•	•	•		•		
36x51"				•									
42x78"				•									
36x70"				•									
56x78"				•									
44 x52" (Disposable Only)				•									
<b>OPTIONS</b>													
Buckle			•				•	•	•				
Velcro			•			•	•		•		•		
Handles & Loops													
<b>EASE OF APPLICATION</b>													
Easy			•		•	•	•	•			•		
Moderate	•			•					•				
More Difficult		•											

\* Walking slings are specifically designed so weight bearing individuals can ambulate safely.

\*\* Full support standing slings provide more support than a walking sling. It is designed to assist a person to stand and perform a weight bearing transfer.

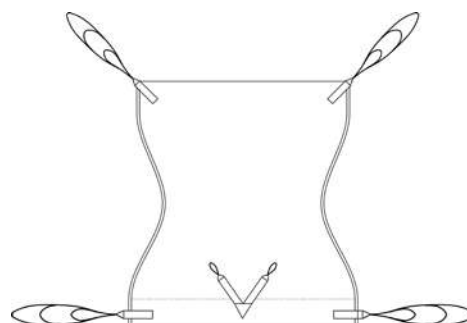
# SLINGS

## PREMIUM SLINGS



### PREMIUM UNIVERSAL SLING

The Universal Sling is the most commonly supplied sling for general transfer purposes. The universal is easy to fit yet is very supportive. It can be used in a divided leg or cross over position.

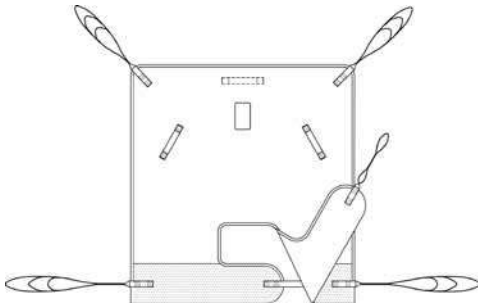


### PREMIUM COMFORT RECLINE SLING

The Comfort Recline Sling is designed for the amputee client but it is also suitable for clients who have to remain in the sling for extended periods. The spacer material is fully breathable and stretches to mold to the shape of a chair. The sling features elasticated sections which allow the straps to be folded safely out of the way when the client is seated.

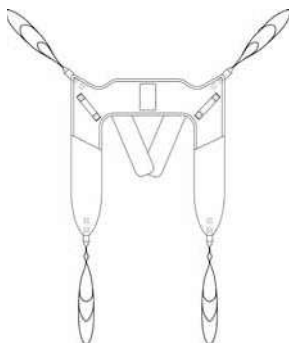
## PREMIUM HAMMOCK SLING

The Hammock Sling provides maximum support to the sacral area and is used in cases where the universal sling is unsuitable because the individual has poor body tone. The sling can be used in a divided leg or cross over position; this also provides good support for amputees.



## PREMIUM DUAL ACCESS SLING

The Dual Access Sling is designed to be used with either a ceiling lift or a stand aid. It gives access to be able to remove and refit lower garments for toileting transfers while the client is in the sling.

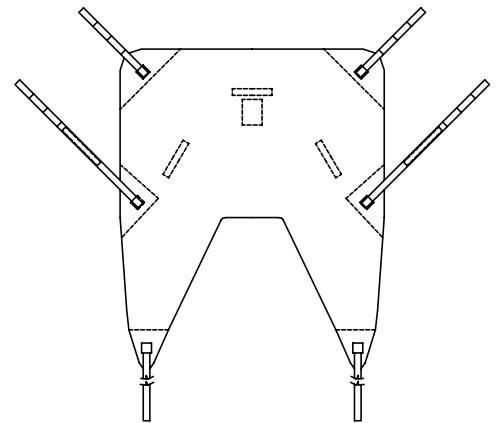


# SLINGS



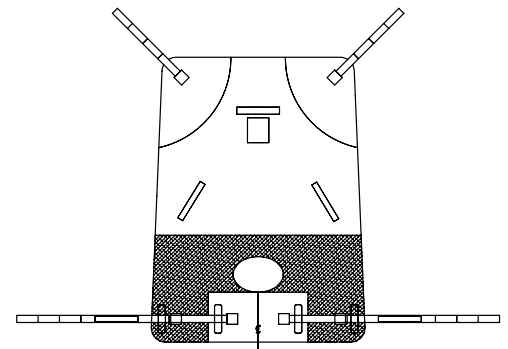
## UNIVERSAL SLING

The Universal Sling is easy-to-use and easy-to-fit. It is a multi-purpose sling that provides toileting access as well as good back and thigh support. The sling comes with leg, hip and shoulder straps and features loops to accommodate various seating positions. Available in mesh, quilted or padded material, the Universal Sling can also be



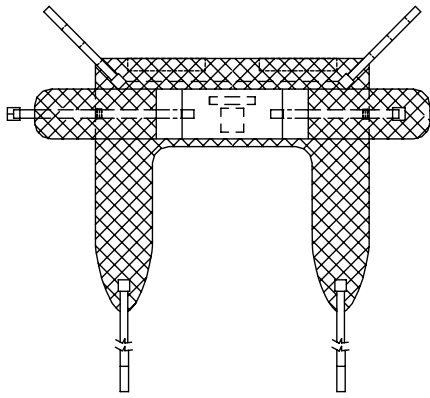
## HAMMOCK SLING

Acknowledged by professionals as the most comfortable and supportive sling for both home and institutional use, the versatile Hammock Sling combines toileting access with full body and head support. The sling comes with leg and head straps and features loops to allow for various sitting positions. The Hammock is available in either mesh or quilted material.



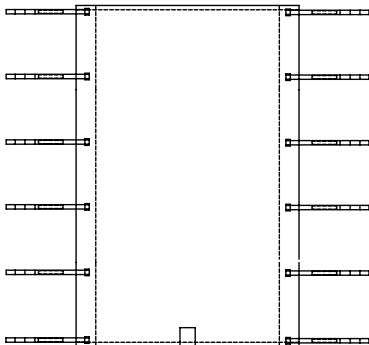
## HYGIENE SLING

The Hygiene Sling was specifically designed for toileting and hygiene functions. Access is unrestricted for most users, making this sling ideal for independent transfer and toileting. The Hygiene Sling features quilted material and comes with leg and shoulder straps with loops for various seating positions. A wide strap across the chest, available with velcro or buckle attachment, provides additional upper body support.



## POSITIONING SLING

The Positioning Sling is intended to be permanently in place as part of the bedding. The sling has several pairs of straps and features loops to offer support in various positions. Repositioning and turning, done manually under time pressure, poses a significant risk of injury to caregivers. The Positioning Sling is designed to address that risk. The sling is also used for transfers to other horizontal surfaces.



# SLINGS



## TRI-TURNER SLING

Ideal for turning a client into a lateral, resting position, the Tri-Turner sling also has a sewn-in Velcro Loop & Hook to attach the sling to the bed, providing a more comfortable turn for the client.

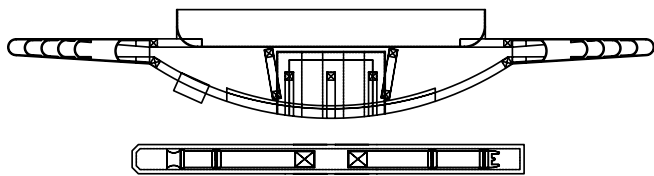


## BAND SLING

Ideal for supporting limbs to facilitate change of dressing on arms, hands, legs, feet or to elevate and hold limbs during surgery.

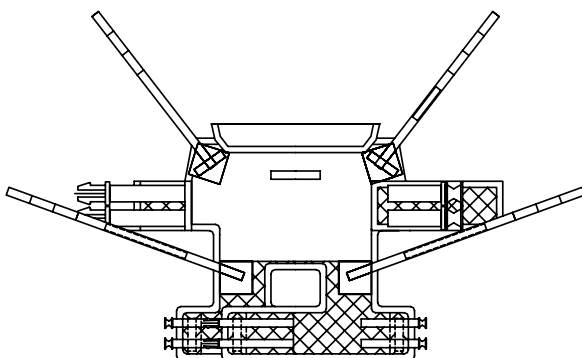
## STAND-AID SLING

Designed by Prism Medical's expert research team, the Stand-Aid Sling will comfortably wrap around the patient's waist and with limited pressure will help raise the person to a standing position. The Stand-Aid Sling is padded for extra comfort and comes with Prism Medical's signature loop design, which allows for greater options for comfort when performing the lift. The Prism Medical Stand-Aid Belt is removable and sold separately.



## FULL STANDING SUPPORT SLING

The Standing Sling is a dual purpose sling affording a natural sit to stand movement. Functional from both bedside and chair surface, this sling encourages pivot transfers, ambulation and toileting.



# SLINGS



WALKING



DELUXE WALKING



REHAB WALKING

## WALKING SLING

The Walking Sling was developed with the help of physical therapists. This supportive sling assists in the safe lifting of individuals from a seated to a standing position. The Walking Sling offers upper body support and freedom of movement to individuals performing exercises in a rehabilitation setting.

## DELUXE WALKING SLING

The Deluxe Walking Sling is the new generation of slings for support during ambulation. This sling features all of the same features of the Walking Sling, but offers additional adjustment around the torso.

## REHAB WALKING SLING

Prism Medical's ErgoSafe® Rehab Walking Sling provides a natural sit to stand movement with Non-slip fabric to keep the patient stationary while moving. The Rehab Walking Sling is functional from both bedside and chair surface and encourages pivot transfers, ambulation and toileting.

## CUSTOM SLINGS

Although we offer over 100 standard slings, everyone is unique and their needs are different. That is why we will customize any of our standard slings to help suit your needs better. You can modify an existing sling design, like adding an extra strap, or we can start right from scratch. Before creating a custom sling, our engineering department reviews the design to ensure that there will be no loss of integrity with the changes. Once the custom sling has been made by our in-house sling manufacturing, we weight test each custom sling to ensure its strength. Common customizations include adding: loops, straps and padding.



## EMBROIDERY & SLING LABELING

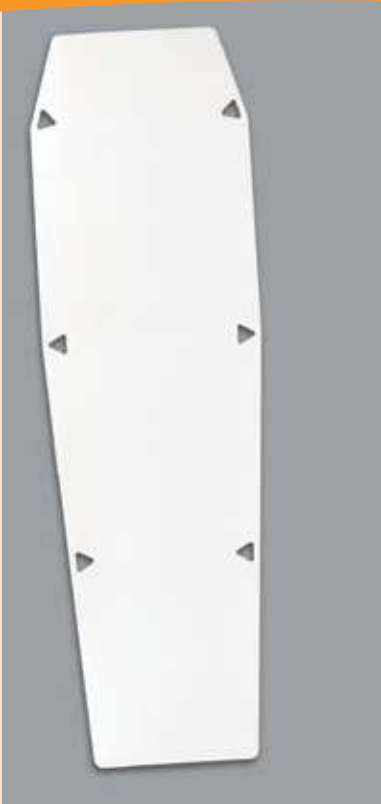
Embroidery and custom labeling are available for all Prism Medical slings. This substantially improves sling identification to ensure that it makes it back to the correct department or unit.

## SLING SIZING CHART

Prism Medical offers a wide range of standard sizes to be sure to accommodate the needs of a diverse patient/resident population. Here are some general guidelines for sizing Prism Medical slings.

Size	Height	Weight
Junior	<4'	<110 lbs
Small	4'-5'6"	95 lbs-150 lbs
Medium	5'-6'	125 lbs-250 lbs
Large	6'-7'	250 lbs-400 lbs
X-Large	6'-7'	400 lbs-480 lbs
XX-Large	>6.5'	>480 lbs

# SLINGS



## TRANSFER BOARD

A white high density polyethylene transfer board made from radiolucent material used in x-ray and imaging departments. Straps are separate from board and clip on for lifting so the board can be left on imaging table.



## STRETCHER SLING

The stretcher sling is a custom ordered metal frame with blue mesh. Four Straps with two loops are sewn directly to the metal frame. The sling has a velcro fastener to allow it to be easily removed from the frame. Can be used with any standard C-Series carry bar.



## MORGUE SLING

The morgue sling is a total of 4 bands made out of 2" black webbing. The straps have 2 loops. Each band is a total length of 54" from loop to loop. To be used with morgue carry bar only.

## CLIENT SPECIFIC SLINGS

### CLIENT SPECIFIC SLINGS

Prism Medical is pleased to be able to offer Client-Specific slings. With infection control becoming an area of greater focus and attention, Prism Medical has the solution. Client-Specific Slings are designed to be used by one individual and disposed of when; a) the patient/resident no longer requires or b) the sling is soiled. The Client-Specific slings are based on the design, safety, comfort and application of the Prism Medical sling patterns. Label indicates when the sling is in need of disposal. Typical safe use ranges from 1-3 months (dependent upon frequency of use). Available in the Universal, Band, Positioning, Hammock, and Tri-turner.



PREMIUM CLIENT-SPECIFIC SLING



BAND CLIENT-SPECIFIC SLING



UNIVERSAL CLIENT-SPECIFIC SLING



TRI-TURNER CLIENT-SPECIFIC SLING



POSITIONING CLIENT-SPECIFIC SLING

# SLINGS

## PREMIUM SLING FABRICS



## SLING FABRICS



MESH



QUILTED



PADDED



NYLON

## FEATURES



SLING LABEL



END LOOPS



JUNIOR SIZE  
GREY



SMALL SIZE  
RED



MEDIUM SIZE  
YELLOW



LARGE SIZE  
GREEN



XL SIZE  
BLUE



XXL SIZE  
BLACK

# TRANSFER AIDS



## ERGOSLIDE®

2100 ERGOSLIDE®  
2101 BARIATRIC ERGOSLIDE®

The ErgoSlide® can be used to move patients up or across a bed, sit them up, turn them, and help them get out of bed without pulling the patient's body, arms or legs, and without the caregiver having to lift. It is made from a strong nylon material sewn into a long roller band and is wide enough for a patient to lie on. Webbing handles are on both sides of the sheet around the full length, which are used to turn or slide the patient.

2100 - 61" Long x 28.25" Wide (155 cm x 72 cm)

2101 - 61" Long x 46" Wide (155 cm x 117 cm)

- Easily reposition a patient in bed
- Effortlessly turn a resident in bed
- Laterally transfer a patient from bed to gurney
- Ergonomically inclined handles to assist in "No Lift" maneuvers



## ERGOSLIDE® PLUS

2300 ERGOSLIDE® PLUS SLIDE SHEET

The ErgoSlide® Plus can be used to reposition clients in bed in multiple directions. This continuous loop of anti-static treated material offers superior friction reducing properties. Simple to introduce and remove. Easy to disinfect and washable up to 176° Fahrenheit / 80° Celsius.

42.5" Long x 31.5" Wide (108 cm x 80 cm)



# TRANSFER AIDS

## ERGOSLIDE® PLUS II 2305 ERGOSLIDE® SLIDE SHEET

The ErgoSlide® Plus II can be used to move and reposition a patient without pulling the patient's body, arms or legs, and without the caregiver having to lift. It is made from a strong nylon material sewn into a continuous tube with webbing handles on both sides of the sheet.

The ErgoSlide® Plus II can be used to reposition clients in bed in multiple directions. Made of very durable and coated nylon, if used and laundered correctly, the ErgoSlide® Plus II will last for 4 years or more.

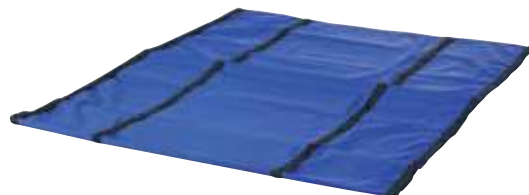
62" Long x 33.25" Wide (157.48 x 84.46 cm)



## ERGOSLIDE® LT 4400 ERGOSLIDE® LATERAL TRANSFER

The ErgoSlide® LT can be used to move a patient from bed to bed, gurney/stretcher to bed, or exam table to bed without pulling the patient's body, arms or legs, and without the caregiver having to lift. Even more, when using the LT, there is not a need for multiple caregivers to execute the move. That's right, now one caregiver can easily perform a lateral transfer without using mechanical lifts, assuming the caregiver has assessed that he or she will be able perform the move. Constructed from a strong nylon material sewn into a long roller band, the ErgoSlide® LT has four rows of webbed handles around the full length, which are used to perform the lateral transfer.

61" Long x 46" Wide (155 cm x 117 cm)



# TRANSFER AIDS



## ERGOSHEETS® 2200 ERGOSHEETS®

When needing to reposition a patient or resident in their bed, it is important to reduce the risk of injury to caregivers. Designed to easily assist in the repositioning process, the ErgoSheets® are created from a strong nylon material that is treated with silicone properties in order to encourage friction free movements. Using ergonomically inclined equipment, caregivers can safely and quickly attend to the needs of their patients while reducing risk of back or rotator cuff injury.

The ErgoSheets® are not meant to remain under the patient, as the friction free surface could cause unwanted repositioning. Because it is made from a strong nylon material and hemmed on the edges to prevent fraying, this positioning device is ideal for use with immobile residents for easy, injury free patient assistance.

56" Long x 32" Wide (143 cm x 80 cm)



- Easily reposition a patient in bed
- Effortlessly turn a resident in bed
- Ergonomically inclined handles to assist in "No Lift" maneuvers - Ergonomically inclined handles to assist in "No Lift" maneuvers



## ULTRA ERGOSHEETS® 2400 ULTRA ERGOSHEETS®

The Ultra ErgoSheets® feature all of the same features as the standard ErgoSheets®, but is offered in a thinner material, making it easier to apply and remove. These sheets offer a means of applying slings in both chair and bed for clients that offer challenges in moving or turning.

66" Long x 33" Wide (165 cm x 82.5 cm)



## ERGOBELT® PLUS

### 3100 ERGOBELT® PLUS PADDED GAIT BELT WITH CUSHIONED HANDLES

The ErgoBelt® Plus is a soft transfer gait belt that combines the basic principles of ergonomics into an extremely durable and comfortable patient moving aid. With four large padded handles and an adjustable buckle to employ the proper fit, these transfer gait belts are an ideal solution to implement in your health care facility or nursing home for safe patient handling. The “softness” promoted by this product ensures not only a comfortable fit for your patient, but also commands comfort for the caregivers, as well as helps reduce the risk of injury by instilling proper patient transferring and moving. Belt fits 29” - 49” (73.5 - 124.5 cm)



## ERGOBELT® PLUS NONSLIP

### 3100 ERGOBELT® PLUS NONSLIP

The ErgoBelt PLUS NonSlip provides an enhanced design over the standard ErgoBelt PLUS through the use of nonslip material on the inner surface of the belt. This nonslip material improves the functionality of the belt, ensuring that it remains securely in place when used. This provides for a more effective and safe transfer. These belts are suited for; clients requiring partial assistance during ambulation and transfers. The ErgoBelt® Plus NonSlip is also available in a padded version.

Belt fits 29”- 59.5” (73.5 - 151 cm)

## ERGOBELT®

### 3101 ERGOBELT® PROFESSIONAL GAIT BELT WITH FOUR HANDLES

Using an ErgoBelt® when walking with a patient offers an ergonomic solution for safe patient handling. Often caregivers prefer to use transfer gait belts to assist with proper techniques when helping patients walk or stand. The ErgoBelt® allows nursing homes and health care facilities to assist their patients properly while reducing the risk of injury to caregivers. Our traditional ErgoBelt® gait belt gives the caregiver something to hold when assisting a walking patient. Not only can this protect the caregiver from injury, but it can also give a frail patient more confidence to walk unassisted, knowing that assistance can be given if needed.

Belt fits 22” - 49” (56 - 124.5 cm)



# TRANSFER AIDS



## ERGOGLIDE

### 5300 ERGOGLIDE

The ErgoGlide one way glide is used to help maintain good sitting position by allowing for easy repositioning of clients in chairs. The friction reducing surface minimizes forces required to achieve a proper seated position for clients. The locking material reduces the risk of the client slipping forward. ErgoGlide: 17.75" x 17.75" (45cm x 45cm)

## ERGOGLIDE W/FOOT LOOP

### 5400 ERGOGLIDE WITH FOOT LOOP

The ErgoGlide one way glide is used to help maintain good sitting position by allowing for easy repositioning of clients in chairs. The friction reducing surface minimizes forces required to achieve a proper seated position for clients. The locking material reduces the risk of the client slipping forward. This one way glide is available in two configurations, a continuous tube or with a foot loop.

ErgoGlide with Foot Loop:  
51" x 15.75" (130cm x 40cm)



## ERGOSEAT®

### 5200 ERGOSEAT®

Prism Medical proudly offers the ErgoSeat® to assist in seated positioning. Now, there are no restrictions to movement while repositioning when seated or preparing to go from sit to stand as the ErgoSeat® presents omni-directional options, meaning you can move laterally in your seat or circularly. With adjustable straps and a durable buckle to easily secure to most seats or chairs, the ErgoSeat® is revolutionizing the way people can move while seated and can assist while repositioning for standing up from a seated position.

Two Piece Seating Device for Easy Repositioning and Standing Assistance.

22.5" x 21.5" (58 cm x 55 cm)



# TRANSFER AIDS

## ERGOGLOVE

### ERGOGLOVE

The ErgoGlove is an effective aid in reducing the friction when handling patients. The glove is carefully glided under the client and is an effective tool for repositioning or for checking therapeutic seating surfaces.



## ERGOGLIDER

### ERGOGLIDER

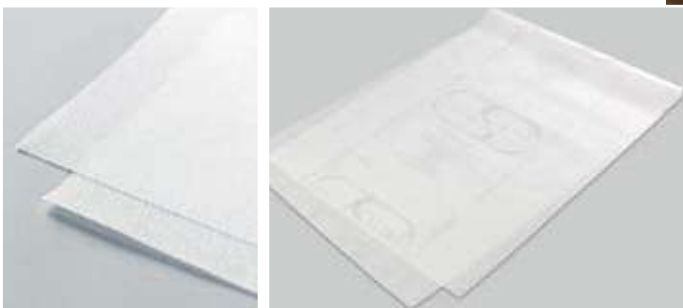
The ErgoGlider is a single patient lateral transfer and repositioning sheet and provides a low cost, high quality solution to initiate and support safe patient handling programs. This disposable product made from two-ply plastic sheeting provides durability in a lightweight product and can be wiped-down for reuse with the same patient. Blue in color, the ErgoGlider has detailed instructions printed on each sheet and is easy to store and dispense.

## DISPOSABLE SLIDE SHEET

ERGOSAFE ESD 6100 (STANDARD)  
ERGOSAFE ESD 6101 (WIDE)

The silicone coated spun bond non-woven polypropylene creates a low friction slide sheet. This patient specific disposable slide sheet is economical and easy to use. The disposable slide can be used individually or in pairs to reposition a patient in bed or to move a patient from one surface to another. The disposable slide comes in a case of 100. Simply open the top of the box where indicated and it becomes the dispenser. One sheet can be removed at a time as needed.

Standard: 78.7" x 29.5" (197 cm x 74 cm)  
Wide: 78.7" x 39.4" (197 cm x 98.5 cm)



# TRANSFER AIDS

## Q2 TRANSFER BOARD

### TRANSFER BOARD

The Q2 Motility Board is a truly universal transfer board. Its unique curved shape and maximum working load of 628 lbs (285kg) enable it to be used in virtually all applications. Ideal for use in both assisted and non-assisted transfers, it can also be used for face-to-face transfers within confined areas.



## BUTTERFLY BOARD

### TRANSFER BOARD

Lightweight transfer board with unique removable nylon/polyurethane wing for controlled, low friction glide across the board. Suitable for all aspects of seated transfers wheelchair to chair, chair to bed, chair to car etc. Supplied with medium wing. Large wing available. Suitable weight capacity of up to 265 lbs. (120 kg). The Butterfly Board has anti-slip pads on the underside for added security.

Weight 3 lbs. (1.35 kg)



## SWIVEL CUSHION

### SITTING PIVOT AID

A low friction, circular swivel cushion is available in two standard sizes. The Swivel Cushion is made from comfortable quilted cotton on the top side and non-slip material on the underside. The swivel cushion can be positioned on a car seat, chair, or bed and gives assistance getting in or out of bed.

Small: 15.75" (40 cm)

Large: 19.75" (50 cm)

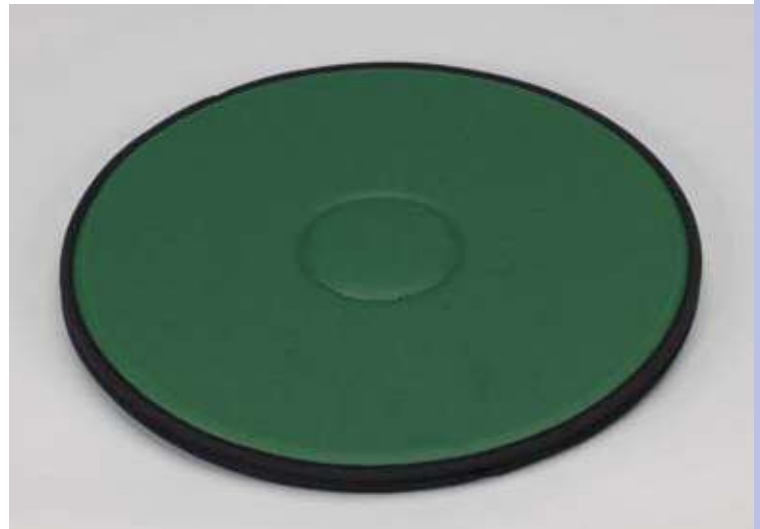


## PEDITURN

### STANDING PIVOT AID

A soft low friction turning disc, with anti-slip material on outer surfaces. The Pediturn is positioned on the floor as an aid to turn a client with sufficient weight bearing capability.

15.75" (40 cm) Diameter



## ONWARD TURNTABLE

### STANDING PIVOT AID

Onward Turntable is a non-slip injection moulded turning disc. This turning disc is positioned on the floor as an aid to turn a client with sufficient weight bearing capability. Disc is easy to disinfect between uses and is virtually maintenance free.

13.25" (33.5 cm) Diameter



# TRANSFER AIDS



## ELK BY MANGAR

The Elk is designed to be used with the help of a caregiver. It is used to safely lift a person from the floor, minimizing risk. It is also suitable for use in bariatric care. Operated by low air pressure using the Airflo battery powered compressor. Once the lift is complete, the Elk can be deflated, folded up and easily stored away.



### PRODUCT HIGHLIGHTS

- Lifts up to 1000 lb.
- Can be used by a caregiver or independently
- Portable and lightweight
- Battery operated for use anywhere- indoors or outside
- Especially useful in confined spaces
- Safe for the person being lifted as well as the caregiver

## CAMEL BY MANGAR

The Camel is designed to lift and bring a falled person from the floor to a sitting position. It can be operated either independently or assisted. Reduces back injuries when assisting someone from the floor. Operated by low air pressure using the Airflo battery power compressor.

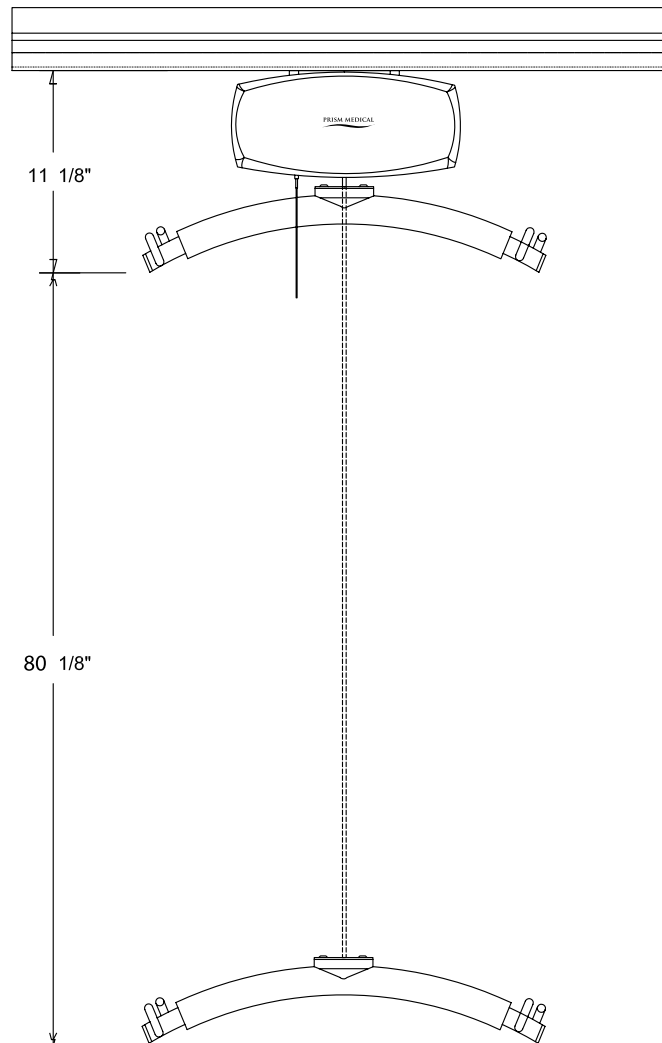
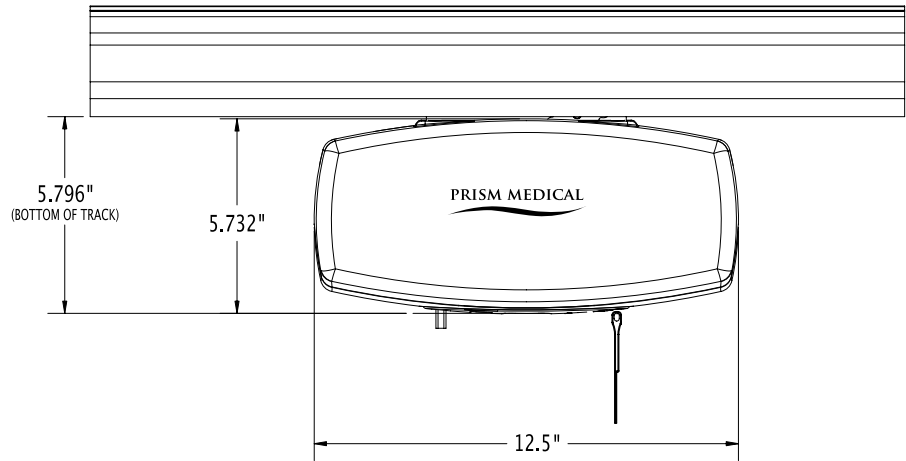
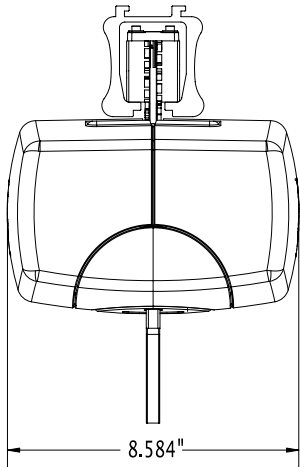


### PRODUCT HIGHLIGHTS

- Lifts up to 700 lb.
- Can be used by a caregiver or independently
- Portable, lightweight and comes with compact carrying bag
- Battery operated for use anywhere- indoors or outside
- Especially useful in confined spaces
- Safe for the person being lifted as well as the caregiver

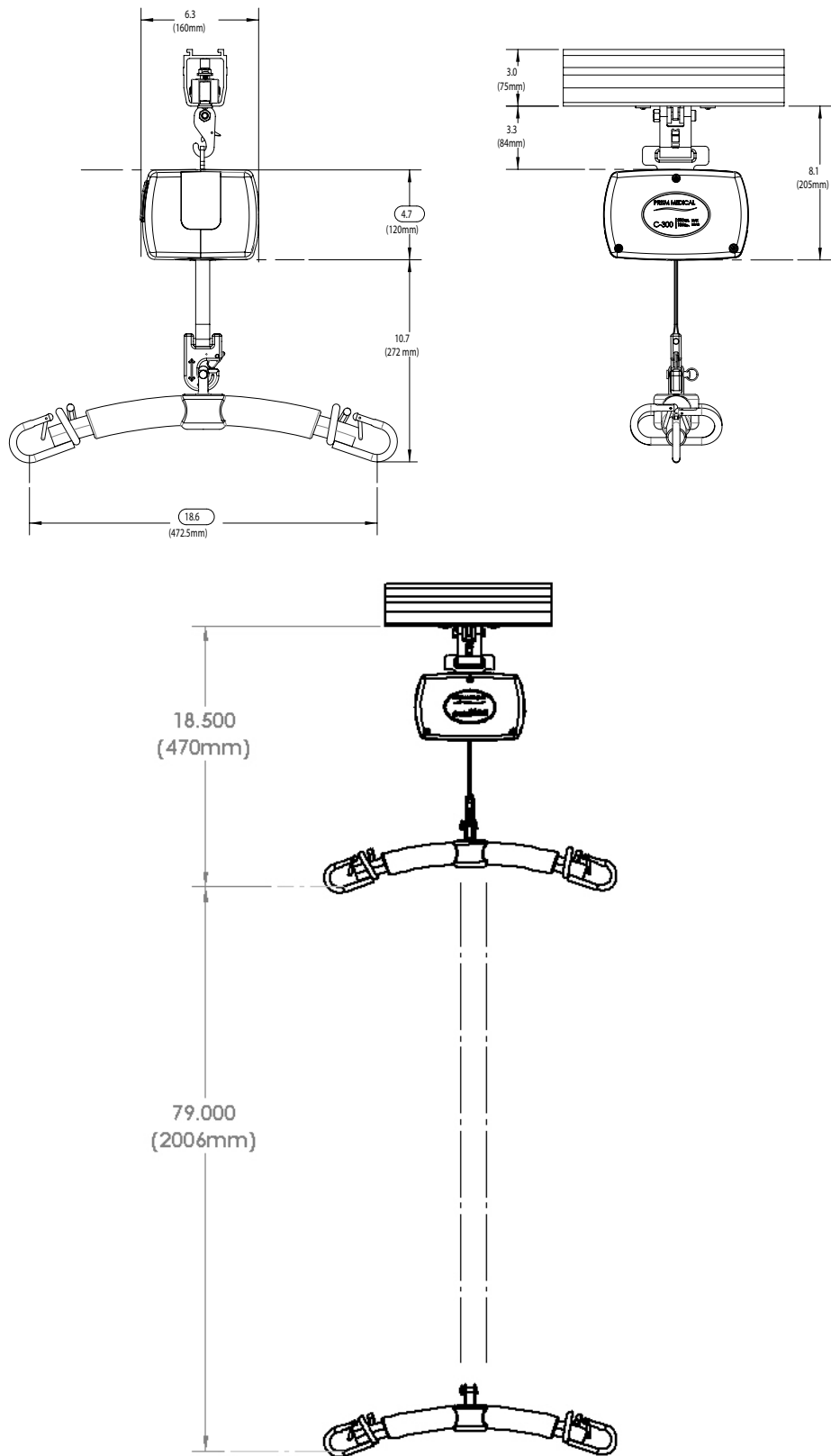
# SPECIFICATIONS

## C-450 & C-625



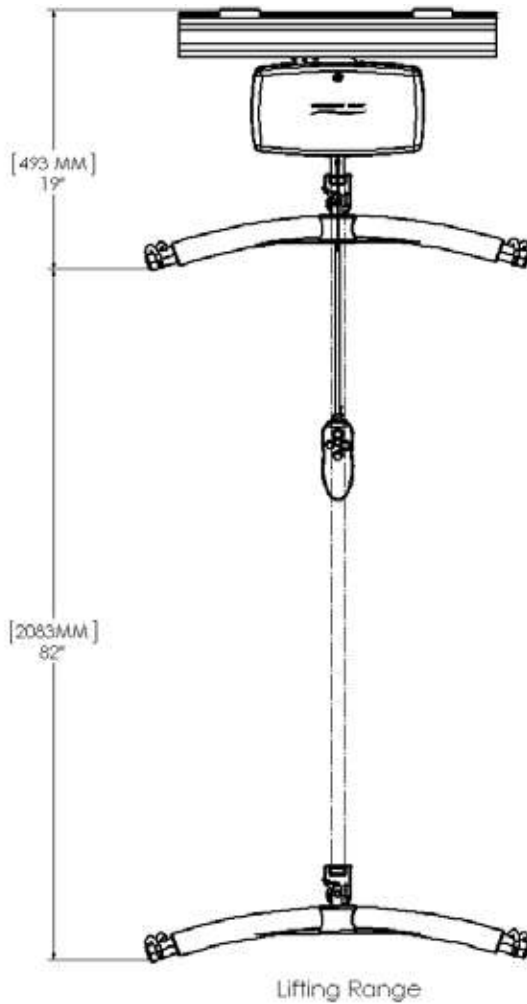
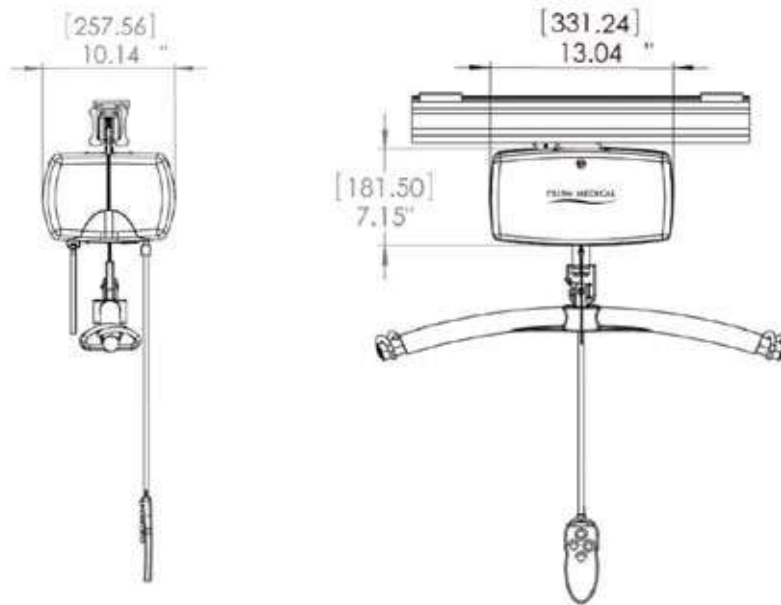
# SPECIFICATIONS

## C-300



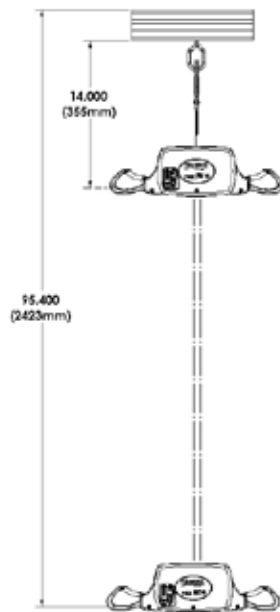
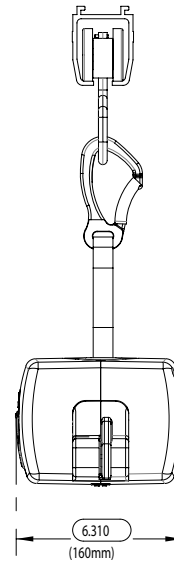
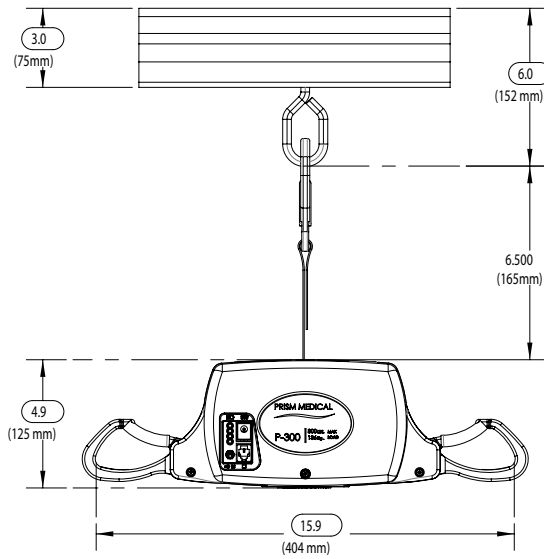
# SPECIFICATIONS

C-1000



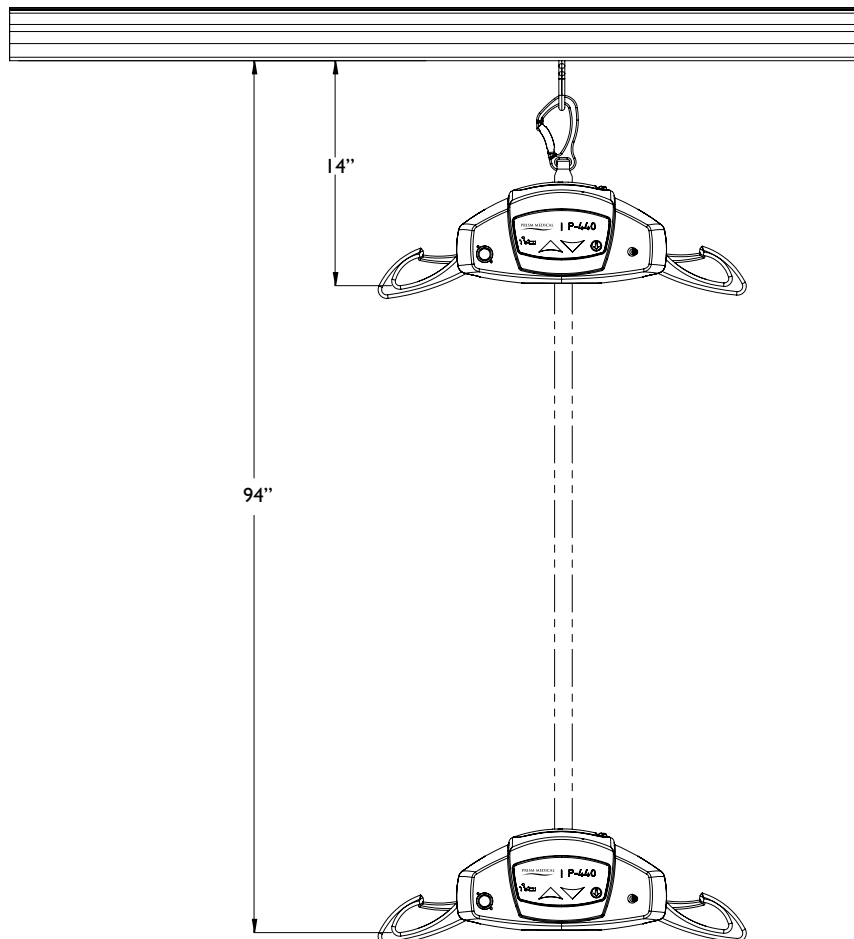
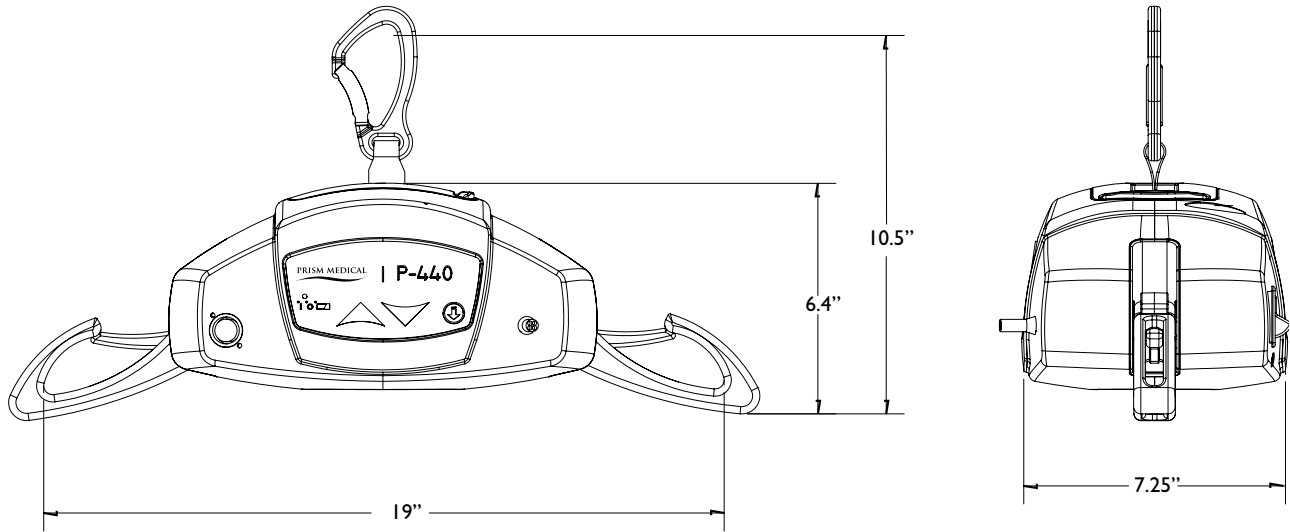
# SPECIFICATIONS

## P-300



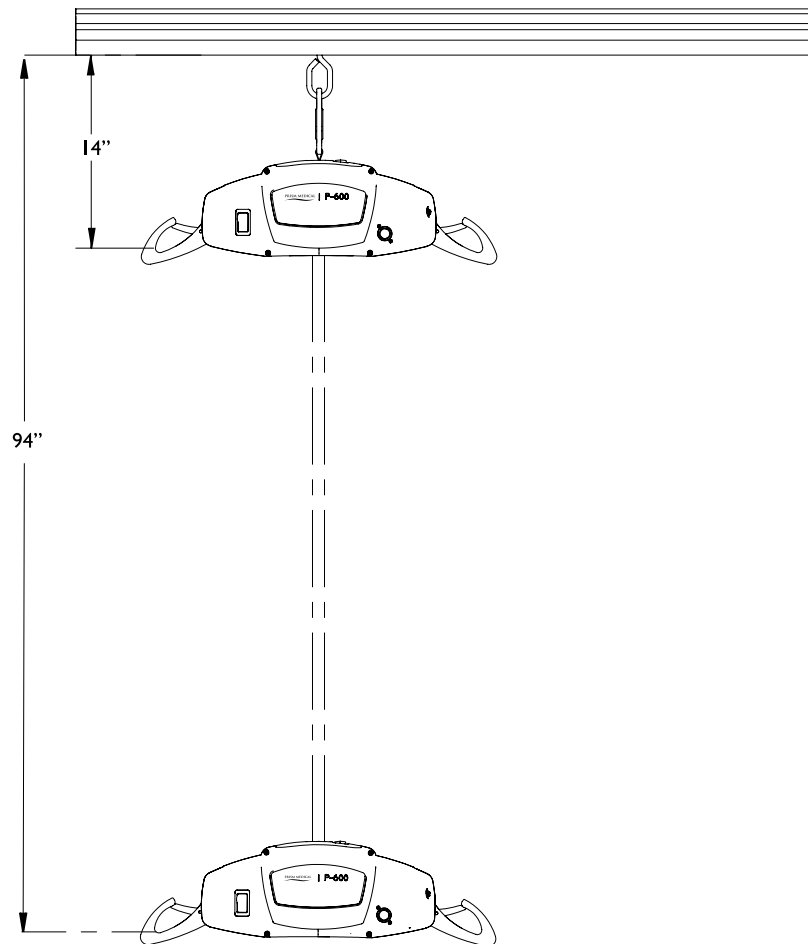
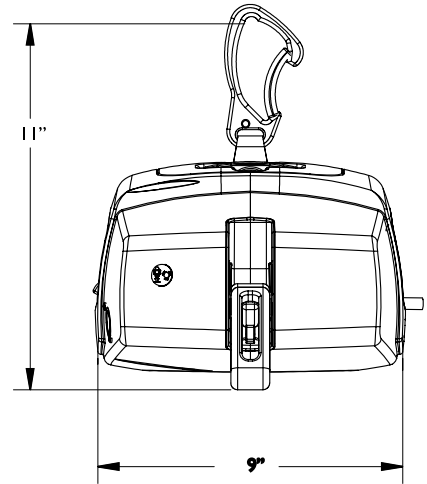
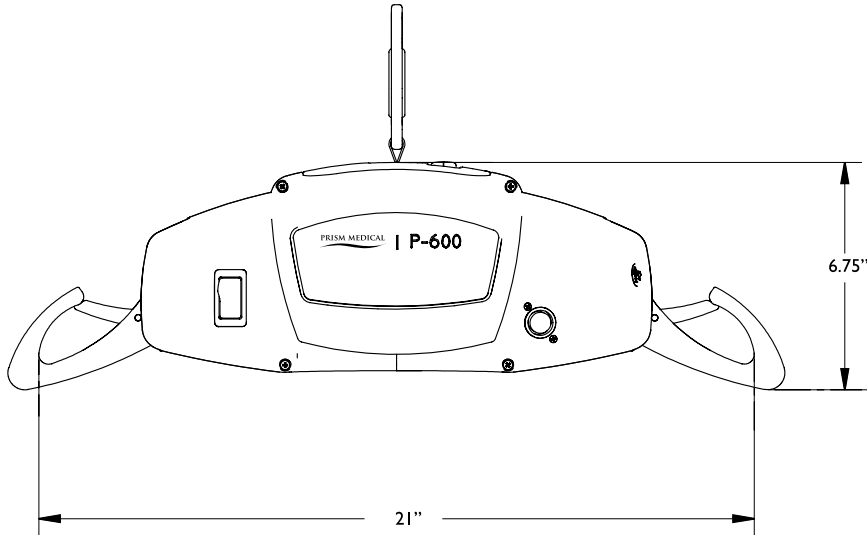
# SPECIFICATIONS

P-440

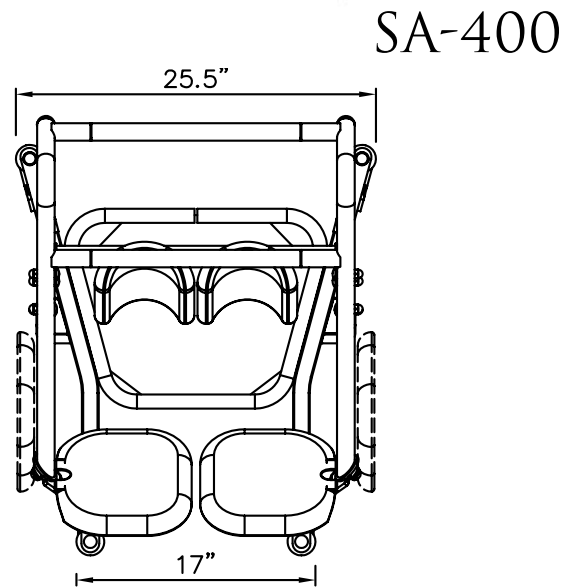
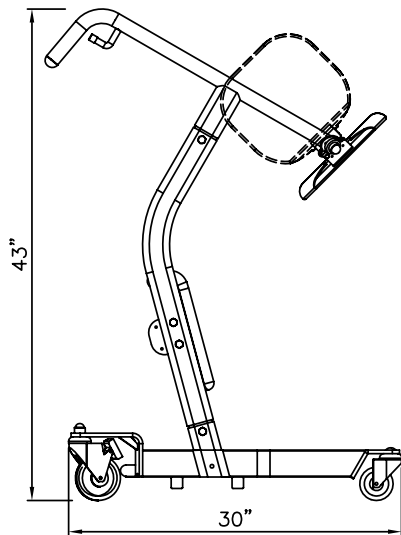
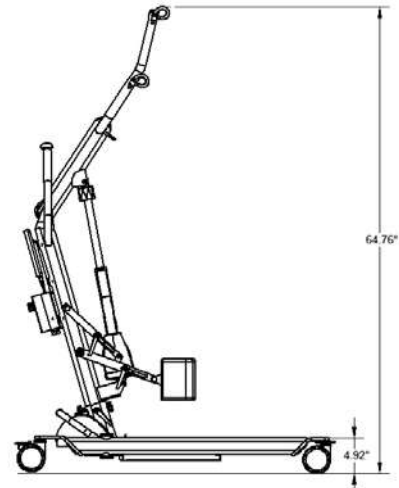
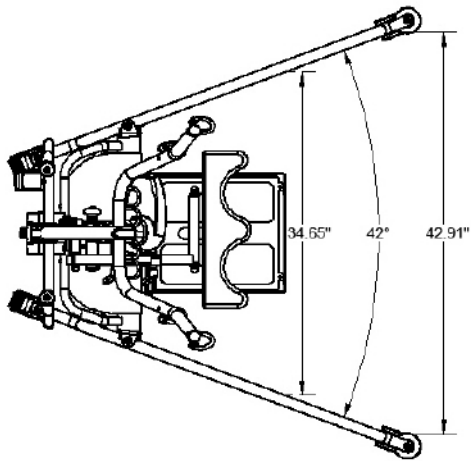
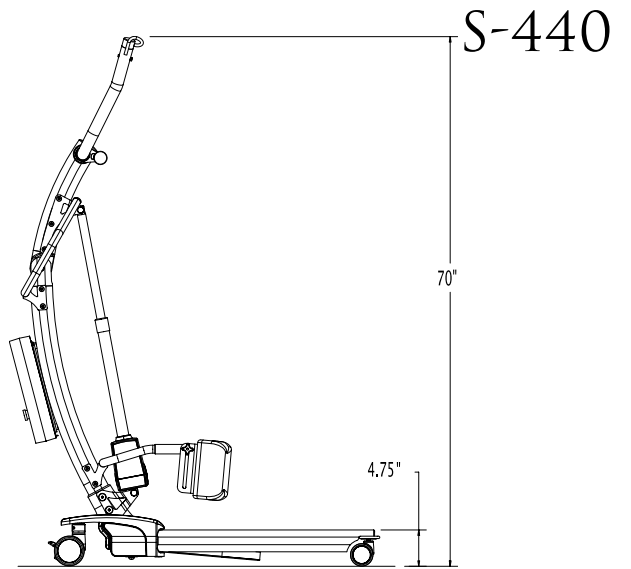
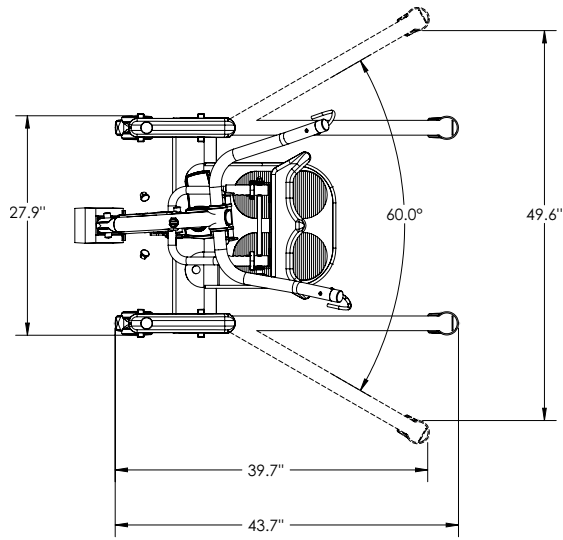


# SPECIFICATIONS

## P-600

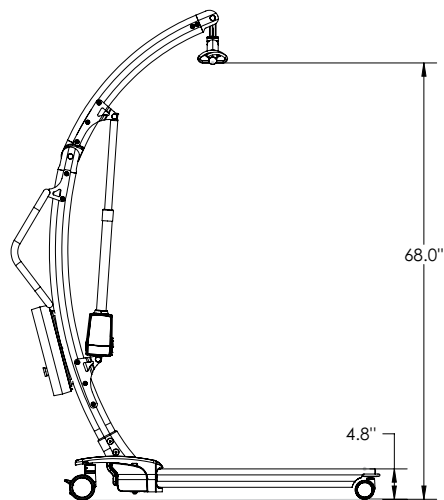
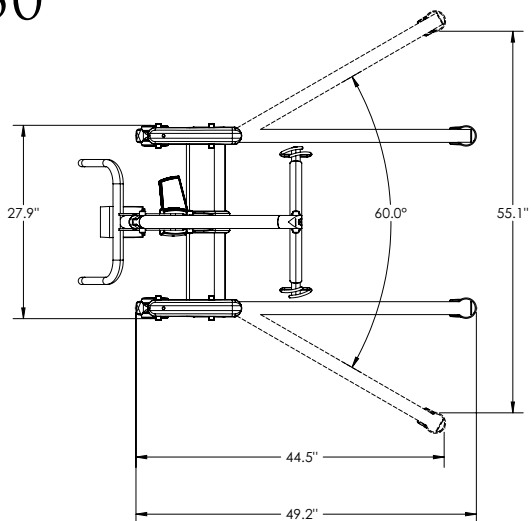


# SPECIFICATIONS

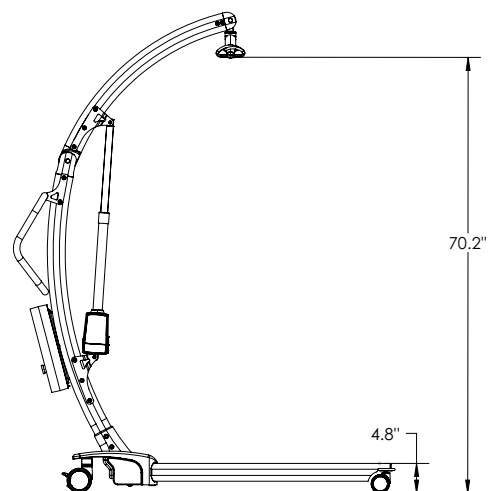
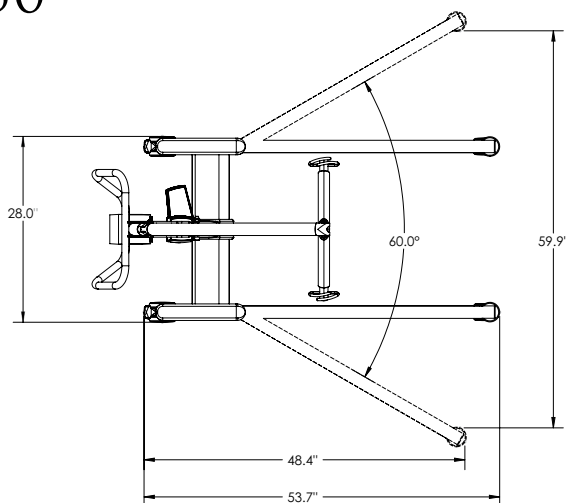


# SPECIFICATIONS

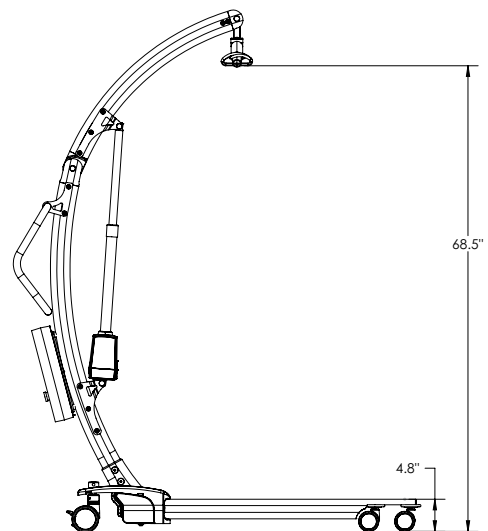
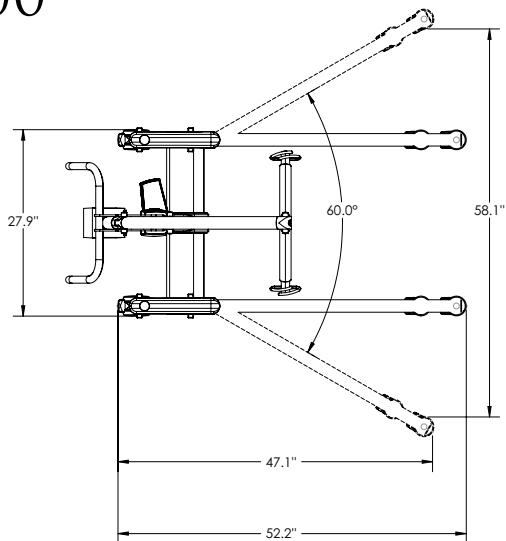
## F-450



## F-550



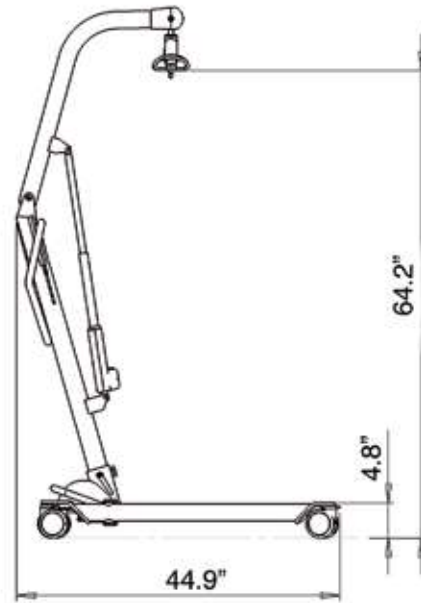
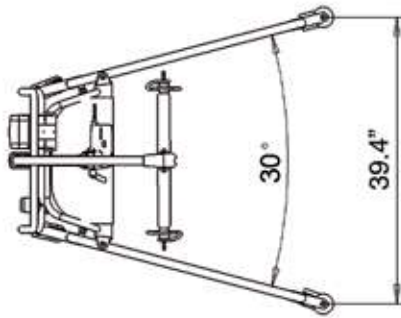
## F-600



# SPECIFICATIONS

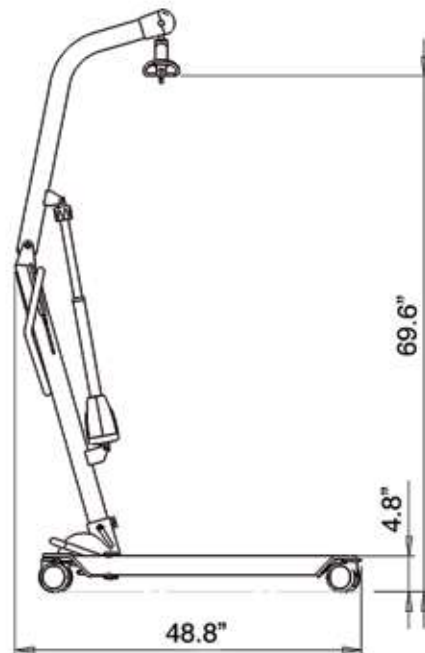
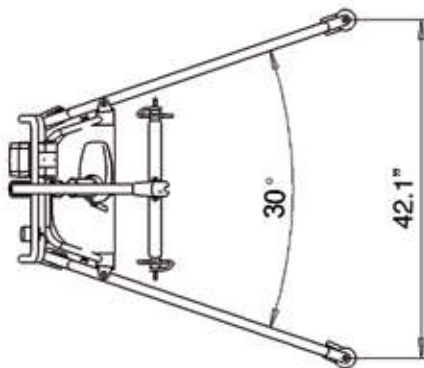
## M-330

M-330

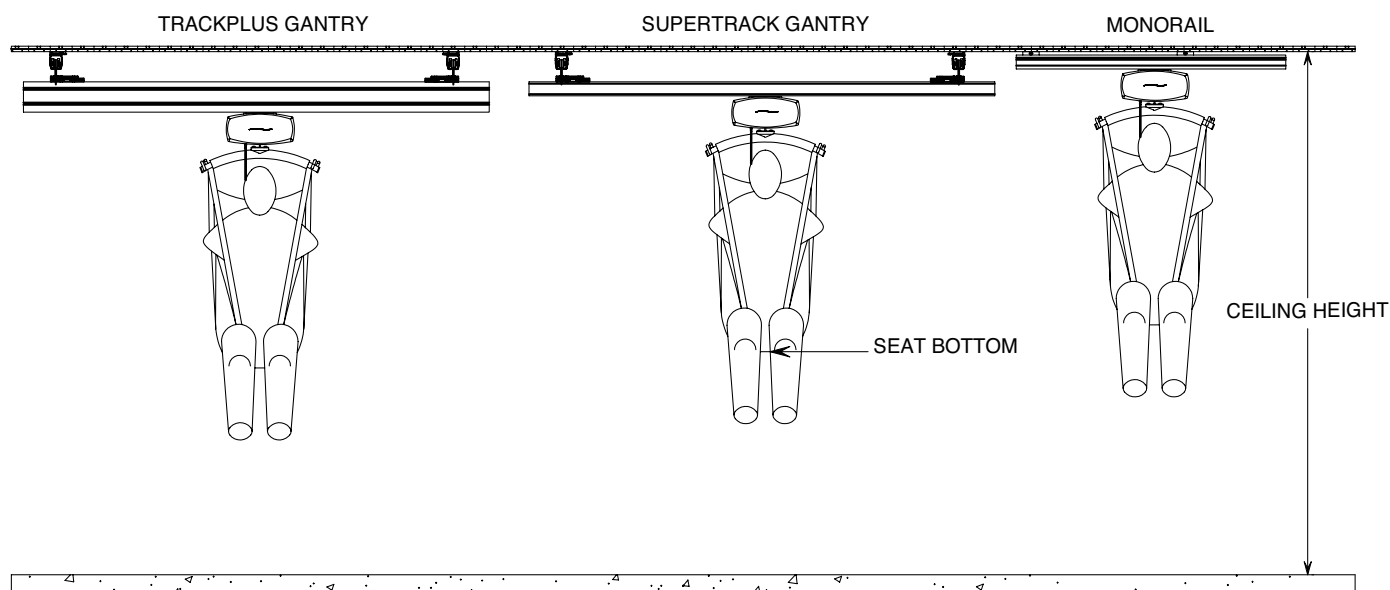


## M-400

M-400



# SPECIFICATIONS



LIFTING HEIGHT DISTANCE FROM SEAT BOTTOM TO FLOOR CEILING HEIGHT			
CEILING HEIGHT	TRACKPLUS	SUPERTRACK	MONORAIL
108" (2743 mm)	46" (1168 mm)	49" (1245 mm)	54" (1372 mm)
105" (2667 mm)	43" (1092 mm)	46" (1168 mm)	51" (1295 mm)
102" (2591 mm)	40" (1016 mm)	43" (1092mm)	48" (1219mm)
99" (2515 mm)	37" (940 mm)	40" (1016 mm)	45" (1143 mm)
96" (2438 mm)	34" (867 mm)	37" (940 mm)	42" (1067 mm)
93" (2362 mm)	31" (787 mm)	34" (864 mm)	39" (991 mm)
90" (2286 mm)	28" (711 mm)	31" (787 mm)	36" (914 mm)
87" (2210 mm)	25" (635 mm)	28" (711mm)	33" (838 mm)
84" (2124 mm)	22" (559 mm)	25" (635 mm)	30" (762 mm)

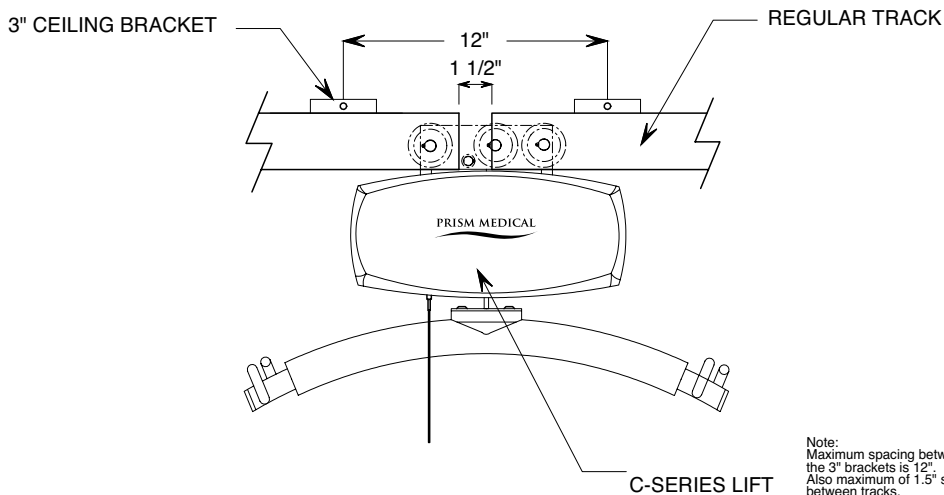
## NOTE:

- Lifting height distance may decrease depending on track combinations.
- Measurements are for a large (L) Universal Sling using the longest loop, from seat bottom to floor.
- Lifting height distance may increase by up to 5" by moving from the longest loop to the shortest loop on the sling.
- Lifting height distance may increase by up to 4" when using a medium (M) Universal Sling on the longest loop.
- Lifting height distance will vary depending upon patient positioning in sling.
- All dimensions are based on the C-Series lift.

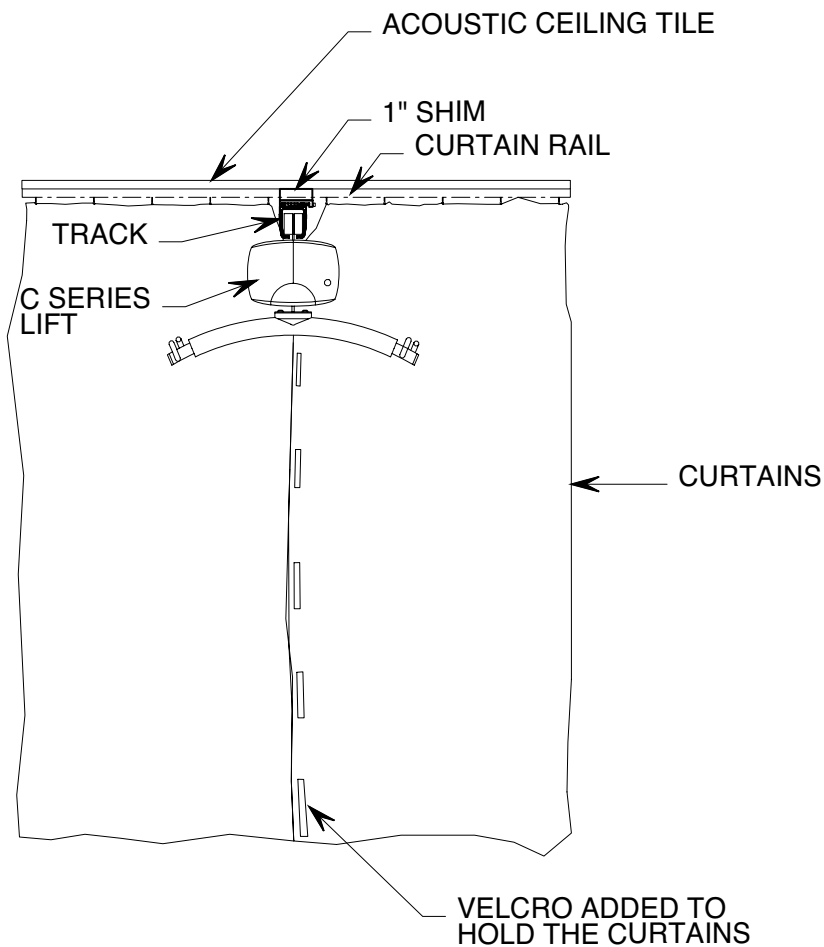
# SPECIFICATIONS

## PRIVACY CURTAIN SOLUTIONS

The Prism Medical C-Series lifts offer the option of an additional set of trolley wheels which allows for a smooth transition between gaps in track of up to 1.5". This allows current privacy curtains to run in track gap, therefore not requiring any modification.



Another option for privacy curtain track modification is notching the privacy curtain track to allow ceiling track to be installed seamlessly. Curtains are then pulled together to allow for complete privacy.



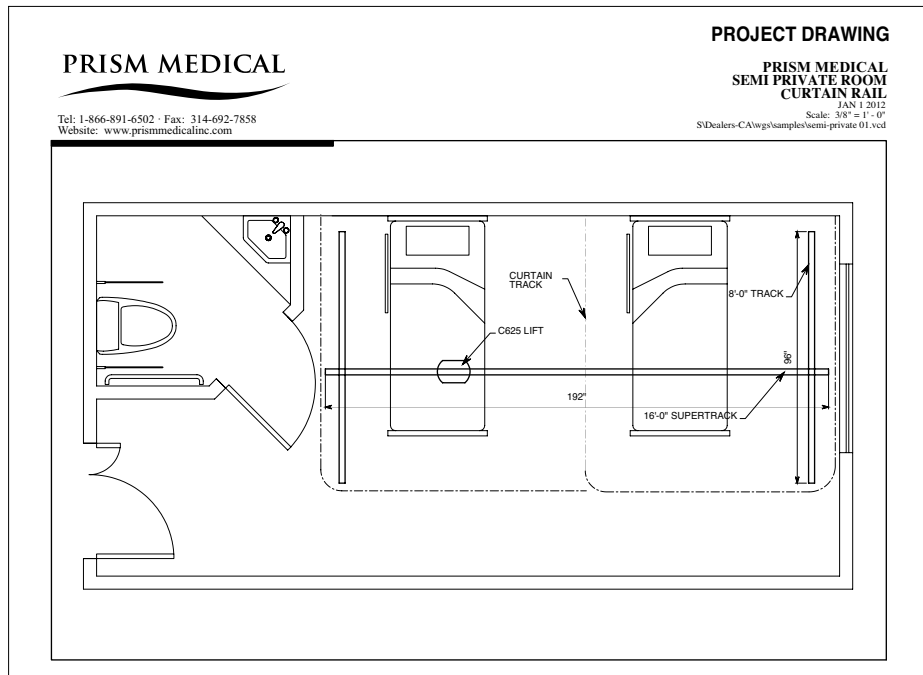
# SPECIFICATIONS

## PRIVACY CURTAIN SOLUTIONS – X-Y GANTRY

Semi-private and Ward rooms present a different issue with respect to privacy curtains. Below are two options outlined on how to deal with privacy between the beds:

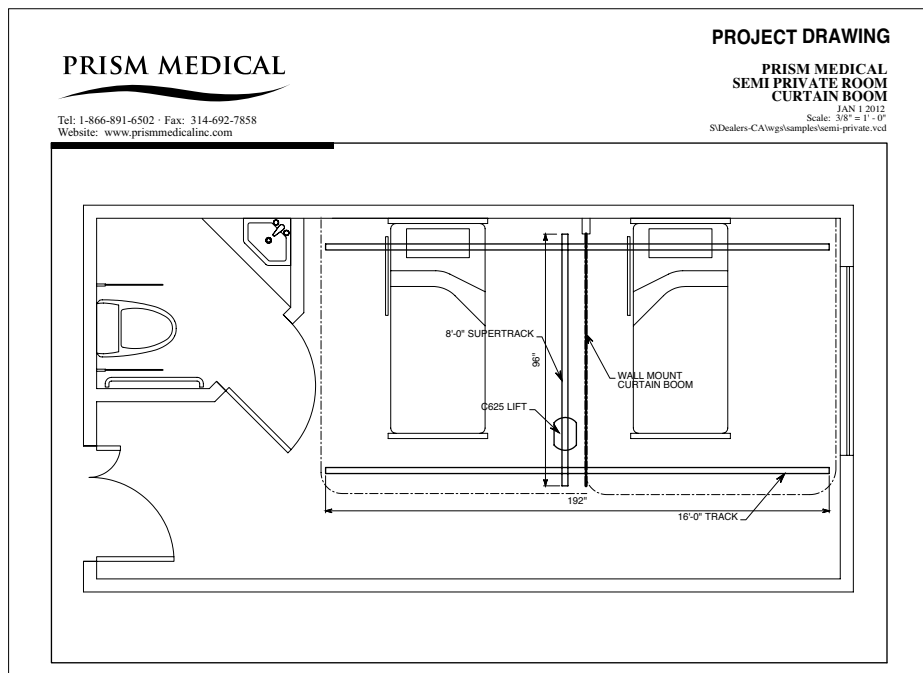
### OPTION A

Where applicable, the privacy curtain can be split in two sections. The privacy curtain will travel with the traversing track, continuing to provide privacy between the beds. When designing the X-Y gantry it is preferable if the support rails can remain within current privacy curtain boundary.



### OPTION B

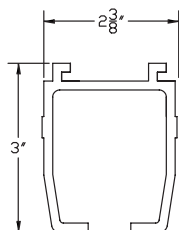
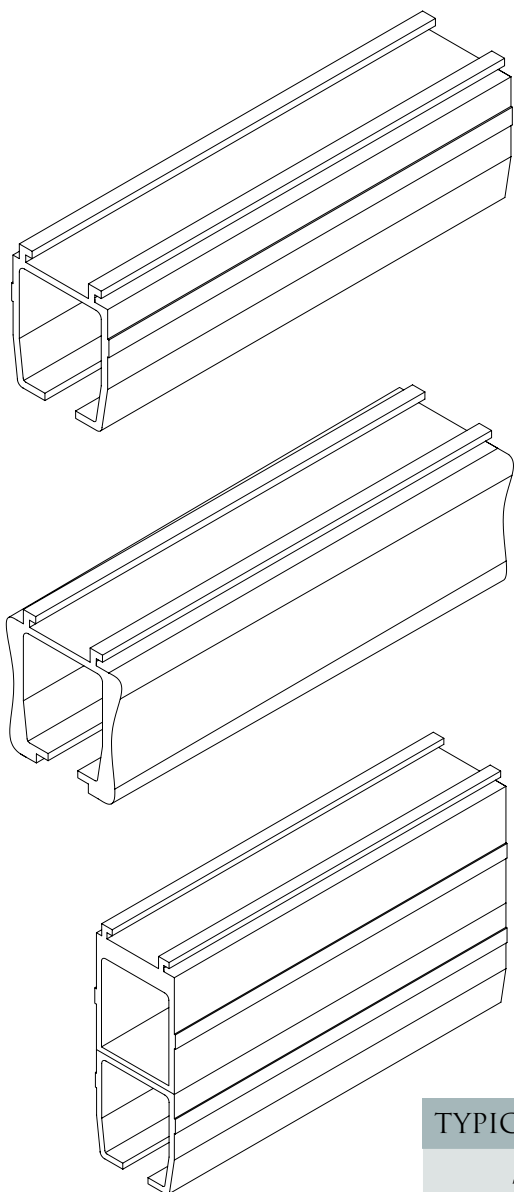
If the boom must travel parallel to the beds, a wall mount Curtain Boom can be added. In this case the traversing track and unit will travel above the curtain not impacting it. When designing the X-Y gantry it is preferable if the support rails can remain within current privacy curtain boundary.



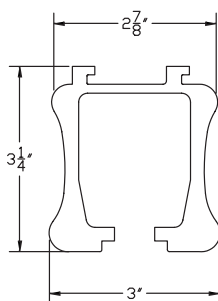
# SPECIFICATIONS

## TYPES OF RAIL

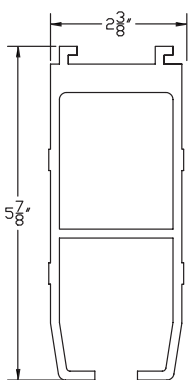
There are three types of rails: Standard Track, SuperTrack and TrackPlus. Each type of rail is available in various lengths.



**STANDARD TRACK** is used in single track systems. Straight track can be used in any combination with curved track to meet the transfer requirements of any setting. Standard track is also used as the parallel support rails of an X-Y gantry system. Standard Track is available in 45 degree and 90 degree curved designs.



**SUPERTRACK** is normally used as a traversing boom for an X-Y gantry system. It can also be used in installations where longer spans are required between supports, such as wall installations.



**TRACKPLUS** is most commonly used as the traversing boom for an X-Y gantry system. The thicker profile allows it to span significant distances between supports.

### TYPICAL NUMBER OF CEILING BRACKETS PER LENGTH OF TRACK

Track Length	Typical No. of Ceiling Brackets per Track Length	Maximum Spacing Between Brackets
6 ft	3	36"
8 ft	3	32"
10 ft	3	40"
16 ft	4	86"
90° Curve	4	32" *
45° Curve	3	36" *

- Note:
- Number of brackets may vary depending on building structure requirements.
  - Maximum deflection 1/200
  - Number of brackets will vary depending on weight capacity (above figures are based on a 450 lb. weight capacity).
  - \* Measured along arc

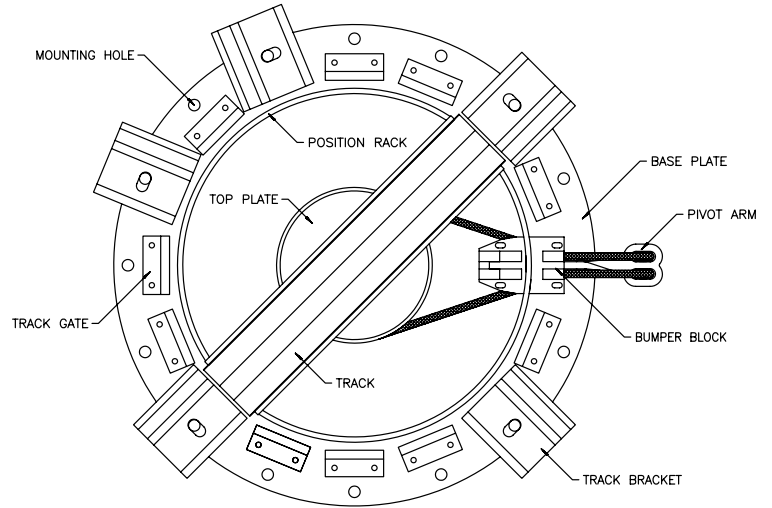
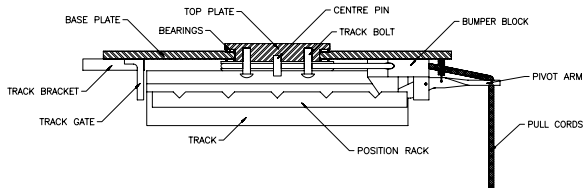
# SPECIFICATIONS

## TRACK ACCESSORIES

THERE ARE SEVERAL TRACK ACCESSORIES TO MEET MANY REQUIREMENTS.

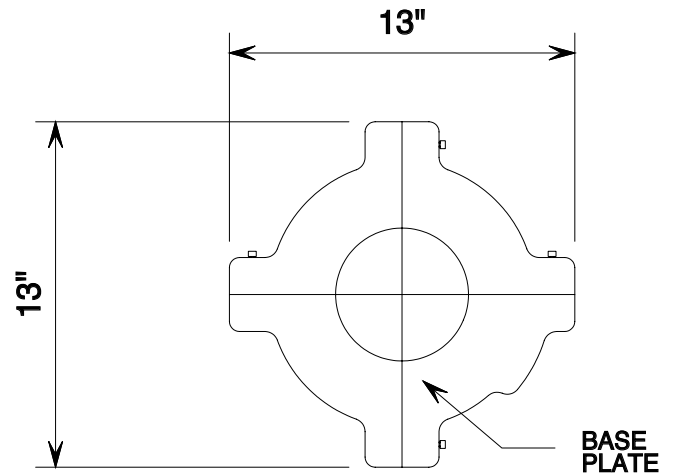
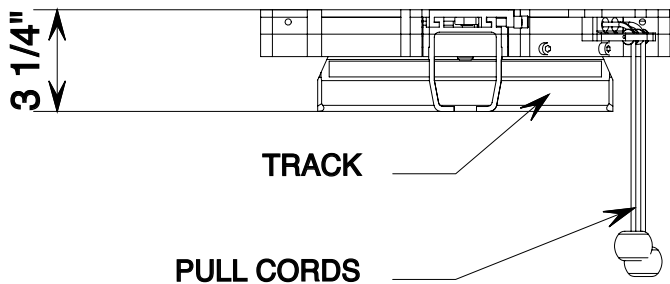
### MULTI-PORT TURNTABLE

The multi-port turntable provides added flexibility for monorail system installations. The turntable has 15 different directions off at 22.5 degree increments. The Multi-port Turntable is available in Manual and Power configurations.



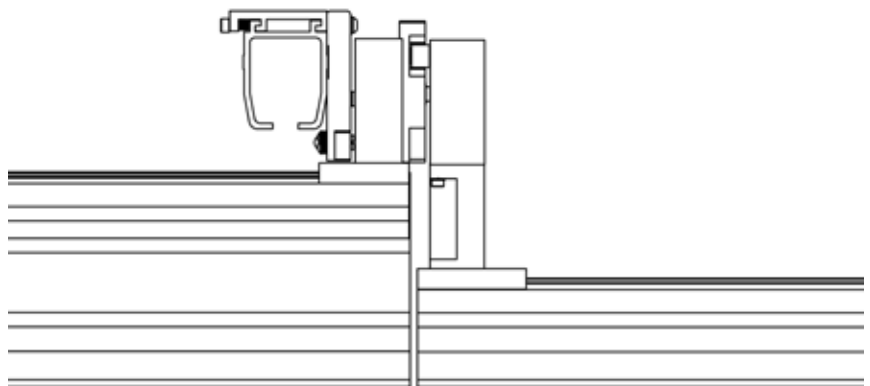
### QUICK-FIT

The Quick-Fit Turntable is a smaller version of the Multi-Port providing the end-user with 3 different ceiling track take-off points.



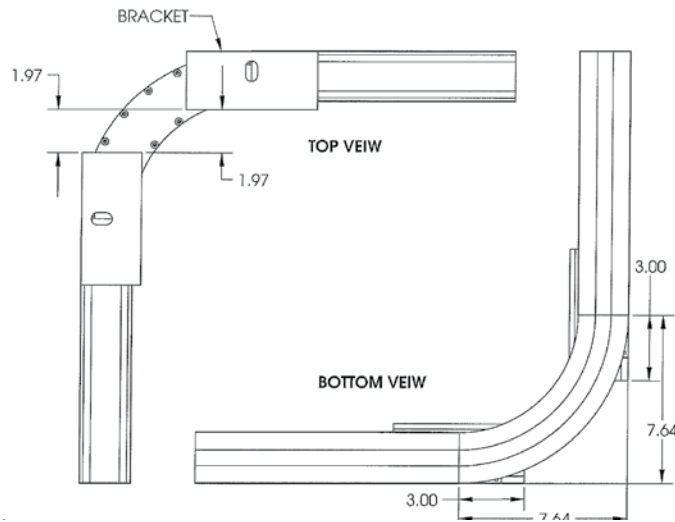
### TRANSITION GATE

The Transition Gate assembly permits a ceiling lift to travel between a gantry traversing boom and a single linear track.

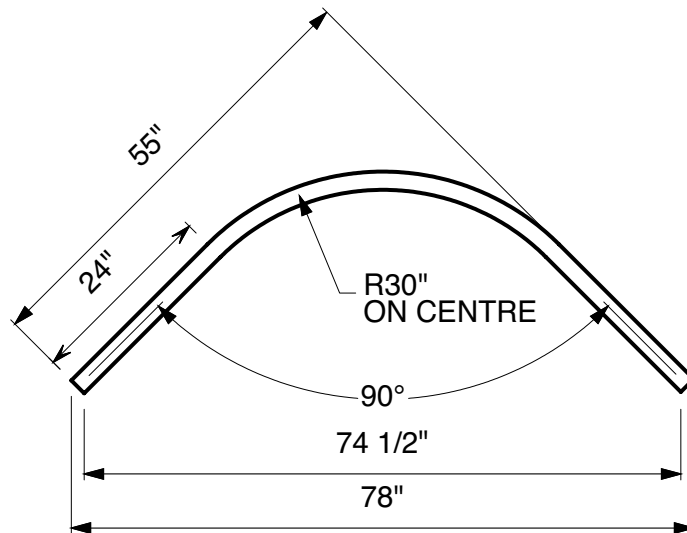


# SPECIFICATIONS

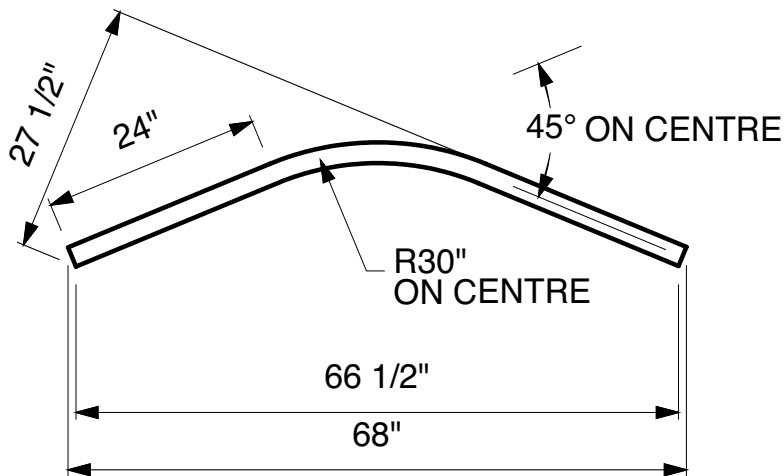
## QUICK CURVE



## 90 DEGREE CURVE



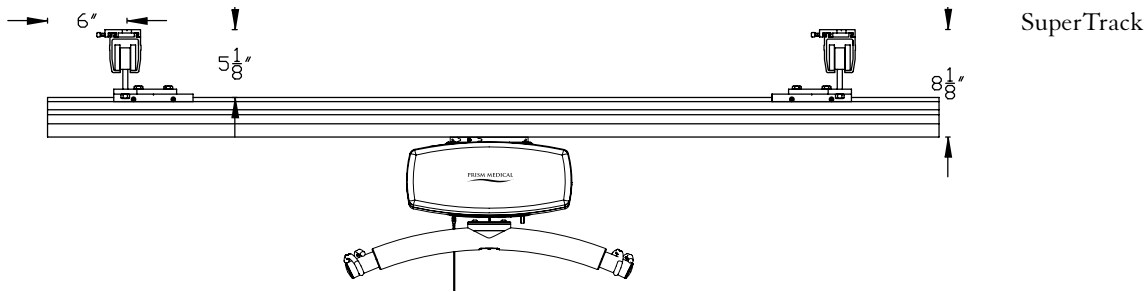
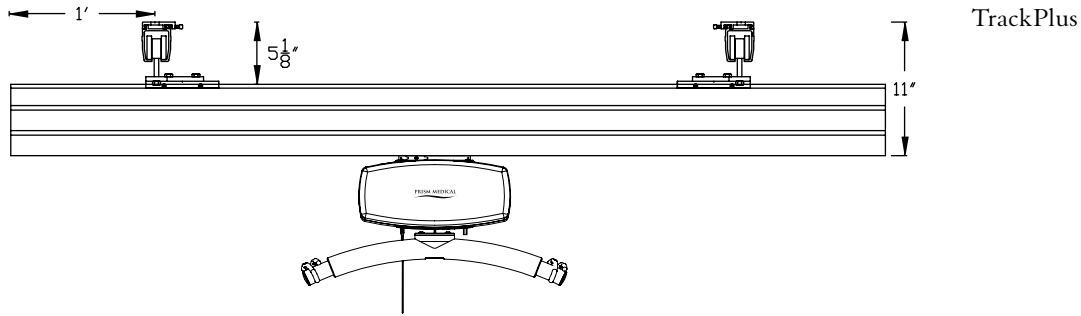
## 45 DEGREE CURVE



# SPECIFICATIONS

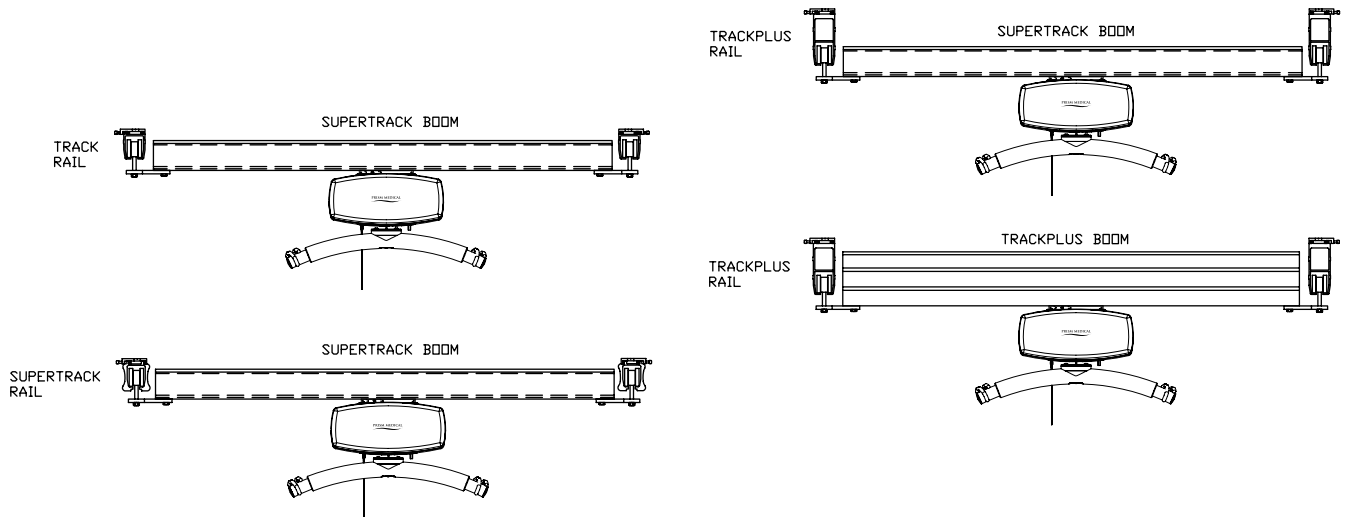
## GANTRY OR 'H' SYSTEMS - UNDERHANGING TRAVERSE BOOM

An underhanging traverse boom is a room covering system providing the most functionality and area coverage. The boom is suspended beneath the permanently installed rails allowing it to clear most ceiling devices, such as light fixtures, smoke detectors and sprinkler heads. Standard Track support rails can be substituted with SuperTrack and TrackPlus where longer spans are required between supports.



## GANTRY OR 'H' SYSTEMS - INSET TRAVERSE BOOM

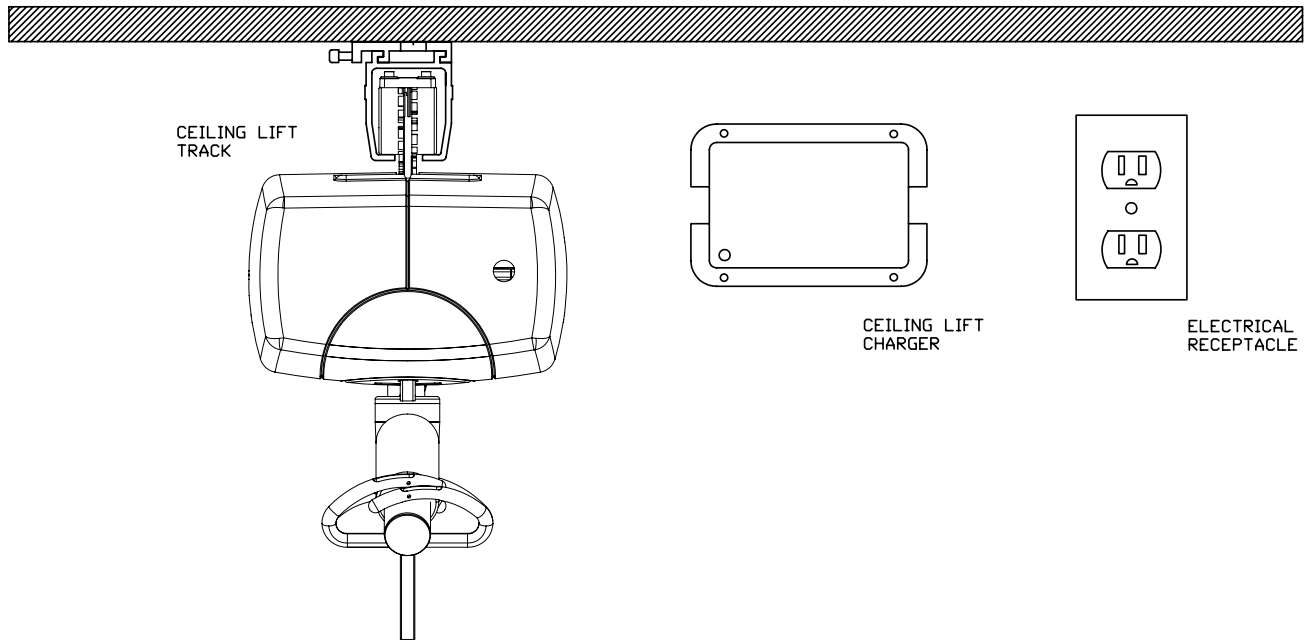
A traverse boom insert between the fixed rails offers additional lifting height. This is valuable in rooms with lower ceilings. Consideration must be given to other ceiling mounted devices (such as light fixtures, sprinkler heads, and smoke detectors) as the traverse rail is now closer to the ceiling.



# SPECIFICATIONS

## CHARGING SPECIFICATIONS

The Ceiling lift is battery operated and must be returned to a predetermined charging location. The charger is typically wall mounted and must be plugged into a nearby electrical receptacle. The charger comes with a 6 ft cord. However, it is recommended that an electrical plug be installed near the location of the charger and charging location for aesthetics.



**CHARGER SPECIFICATIONS**  
Charger input: 120 VAC, 1.0 amps  
Charger output: 24 VDC, 1.5 amps

# SPECIFICATIONS

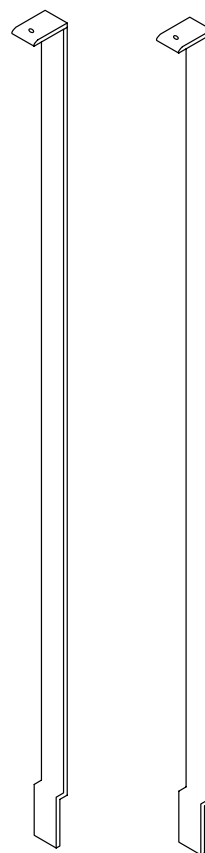
## WALL MOUNT SYSTEM

Wall Mounting is an alternative method to mounting a single track or X-Y Gantry system where fastening to the ceiling structure is not possible. There are two types of wall mounting methods: the wall mount post system and the wall mount bracket.

## WALL MOUNT POST SYSTEM

There are specific requirements that must be met before considering the wall mount post system:

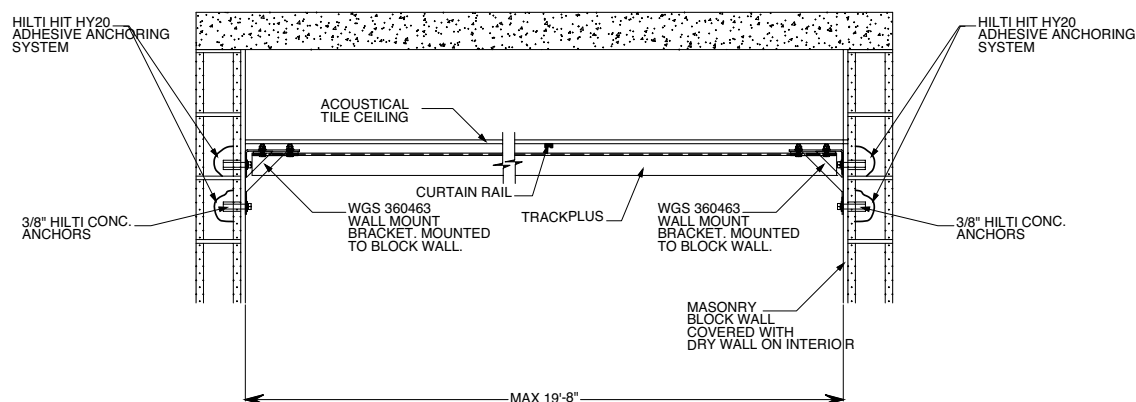
- The drywall must be at least 3/8" thick
- Drywall must be free of defects and moisture
- Distance Spanning
- Proper rails must be used
- Tracks can not be installed on angles greater than 45 degrees to the posts



## WALL MOUNT BRACKET

There are specific requirements that must be met before considering the wall mount bracket system:

- Wall structure
- Proper rails must be used
- Distance Spanning



# SPECIFICATIONS

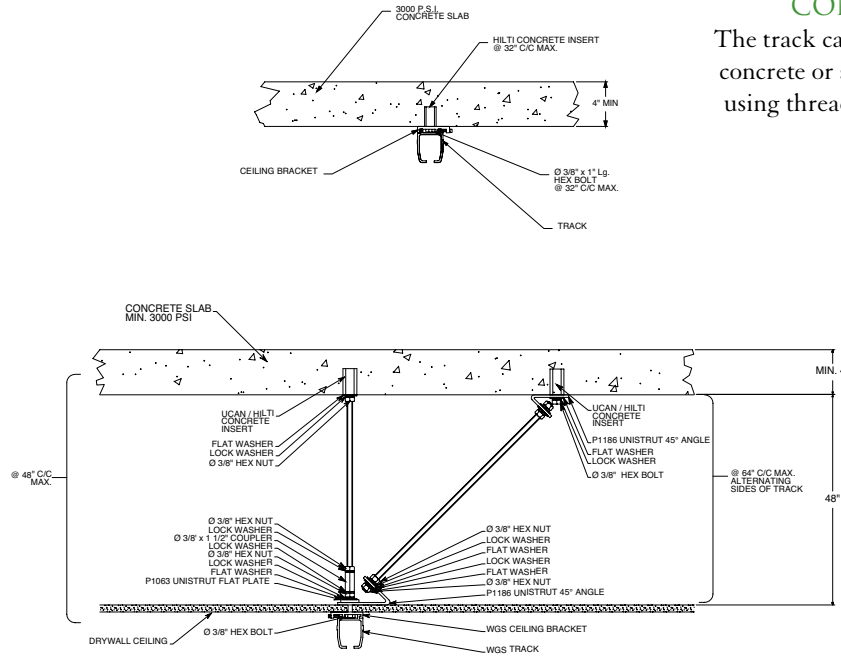
## MOUNTING DETAILS

Typically the track is surface mounted to the finished ceiling using a 3" ceiling bracket. However, it is possible in certain situations to recess the track in a suspended T-bar ceiling so that only the bottom half of the track is visible. This can provide a more aesthetically clean look. Ceiling mounted devices such as smoke detectors and sprinklers must be taken into consideration.

Note: all support structures must be verified for applicable loads and forces prior to installation.

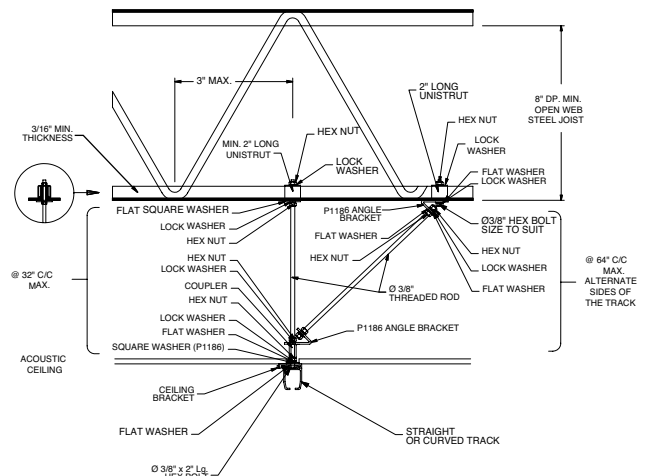
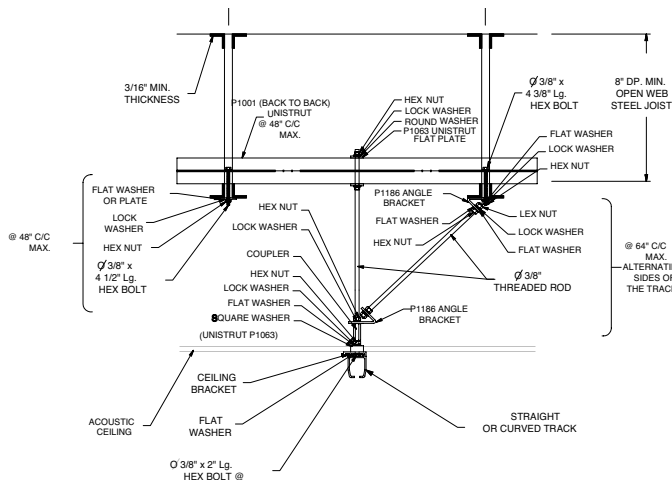
### CONCRETE STRUCTURE

The track can be directly mounted to the concrete or suspended from the concrete using threaded rod and lateral supports.



### STEEL STRUCTURE (OPEN WEB STEEL JOISTS)

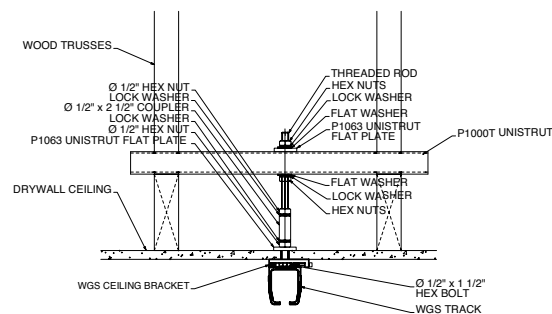
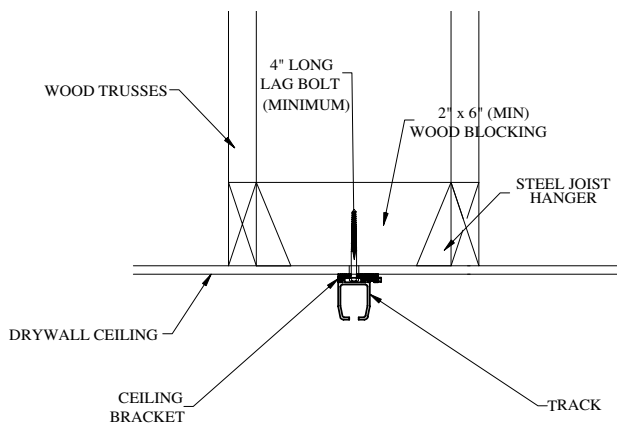
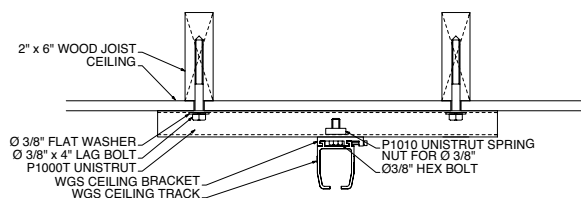
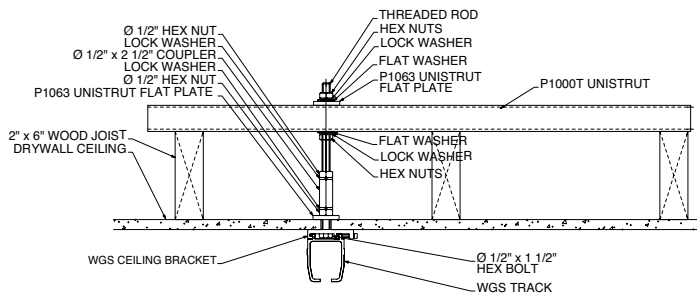
Typically Unistrut is fastened to the steel structure and the track is suspended using threaded rod and lateral supports.



# SPECIFICATIONS

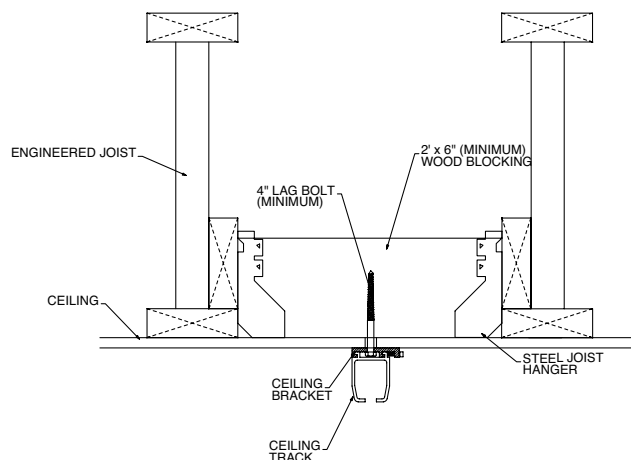
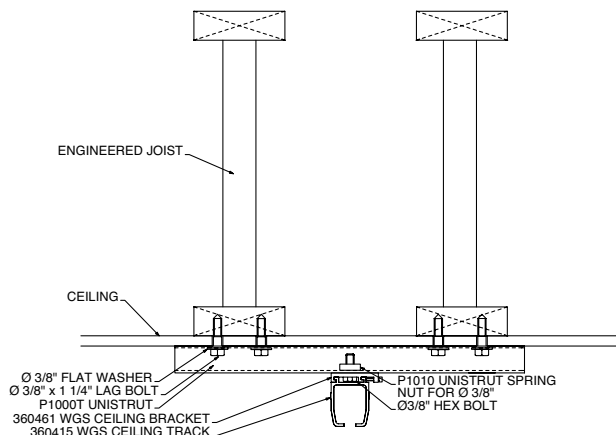
## WOOD JOISTS

In certain cases track can be directly mounted to wood joists. Alternatively, Unistrut or wood blocking can be used to span between joists to fasten the track to.



## ENGINEERED JOISTS

Wood blocking between engineered joists is the ideal method. In certain cases Unistrut can also be used to span between joists to fasten the track to.



Planning to make significant changes in the physical building or in the care routines in any healthcare facility is a complex exercise that involves many people. However, with a comprehensive assessment addressing the needs of clients and caregivers, a facility's goals can be achieved with a substantial return on investment. The following points are important factors for any facility looking to implement a comprehensive safe patient handling program.

## CONSIDERATION WHEN SELECTING PATIENT HANDLING EQUIPMENT

### CEILING LIFTS - FIXED VS. PORTABLE

A fixed ceiling lift motor is a unit that resides in the track system and functions as a permanent system component. This lift's advantages include higher lift capacity, easy-to-use battery charger, proven longevity and an easy-to-use and unobtrusive carry bar.

The portable ceiling lifts can be moved from room to room, to different tracks and offers greater flexibility of use. The unit can be easily connected and disconnected. The motor unit acts as both motor and carry bar, from which the sling is suspended. Due to the nature of portability, portable ceiling lifts do not overcome one of the drawbacks of traditional floor lifts - availability.

For both fixed and portable ceiling lifts the coverage of the room is defined by the track configuration. Options range from complete room coverage of an X-Y gantry system to more limited configurations of a single linear rail. Access to adjacent rooms can be gained by the modifying of door header and, in the case of an X-Y gantry system, with the use of a gate assembly. Linear track systems can be expanded in their capability by adding curved track and/or turntables.

### MOBILE LIFTS

Mobile Lifts have traditionally been the product of choice. While Ceiling Lifts are becoming more commonplace this does not eliminate the requirement for Floor based

products. Mobile Lifts continue to be less costly, however do not address the issue surrounding product availability addressed by ceiling lifts. Mobile Lifts, such as the Prism Medical F-550, will continue to be required where ceiling lifts are not available or practical. Stand Aids, such as the Prism Medical S-440, offer a unique transfer opportunity for individuals not requiring a "total/passive" lift and should be considered when addressing the complete continuum of the lift and transfer environment.

### SLINGS

Slings come in a wide variety of sizes, styles and configurations to meet the diverse needs of a varying patient population. If the lift and track are the "hardware," slings are the "software." Slings are the interface with the client and, as such, are a critical component of the patient handling system. Some of the most important considerations for sling selection are:

- Patient safety, support and comfort
- Size
- Ease of use

Sling applications include seated transfers, standing support, walking, turning and repositioning. Specialized applications include transfer boards for imaging and special slings for operating rooms and limb holding. Slings range in design complexity and ease of application. For our complete selection of sling products, refer to the Slings section on pages 26-35.

## PLANNING CONSIDERATIONS FOR CEILING LIFT SYSTEMS

### PATIENT CARE

Immediate and long-term uses and needs, setting (home, institution), program requirements

### STAFF CARE

Staff input and assessment of needs, training requirements, ease of use

### STRUCTURAL/ENGINEERING

Room layouts, structural requirements, track configurations/mounting

### MECHANICAL

Sprinkler location, bathroom ceilings, smoke detectors, door headers, privacy curtains

### ELECTRICAL

Lighting, electrical capacities and outlets

### PRODUCTS AND SERVICES

Warranties, customization, consultation, installation, training, ongoing support

## WHAT ARE THE IMPACTS OF CEILING LIFT SYSTEMS?

### IMPACT ON STAFF

- Increased morale and empowerment of frontline staff
- Improved retention, recruitment and return-to-work strategies
- Decreased physical demand on frontline staff
- Decreased injury costs related to moving and assisting clients
- Need for education and training time
- Requirement to change practice-alteration of care routines and habits
- Requirement to follow safe work policy and procedures
- Reduction of transfer choices - from preference to safety
- Increased staff time for patient care

### IMPACT ON PATIENTS, RESIDENTS OR CLIENTS

- Increased safety during transfers or repositioning
- Decreased anxiety about being transferred
- Increased comfort during care, fewer bruises or skin tears
- Increased likelihood of change of position (bed/chair) during the day
- Consistency of transfers and repositioning with different staff
- Adaptive clothing considerations if transferred in a sling
- Increased safety for those without good insight into their abilities
- Less energy expended on poor quality transfers and repositioning
- Feel less of a burden to the staff
- Improved quality of transfer

## WHAT TO LOOK FOR IN A CEILING LIFT SYSTEM

### EASE OF USE

- Simple product design that makes sense to users
- Easy to learn and operate
- Configurations that meet the patients' needs
- Design drawings that clearly illustrate function for staff
- Design and construction that maintenance can endorse
- Clear training and user instruction materials
- Sling design that meets care needs and facilitates comfort

### QUALITY AND EXPECTATION OF LONGEVITY

- Slings and lifts proven to last, provide an economy of use
- All components designed for rigors of healthcare use with long term viability
- References from users having a minimum of three years history with a product

### SAFETY

- CSA and/or UL approved safety features
- Meets local certification specifications (where applicable), i.e. OSHPD
- Meets seismic standards and regulations
- Systems installed by qualified, experienced personnel

## WHAT TO LOOK FOR IN A SERVICE PROVIDER

- Knowledge of patient handling issues
- Planning and design that focus on client needs
- Experience with all aspects of installation including privacy curtains, infection control and project management
- Ability to advise on custom sling requirements and design
- Turnkey installations incorporating staff input
- Customization to facility and client needs when required
- Timely access to reasonably priced parts
- Training-care staff, maintenance, families if needed

## TRACK CONFIGURATIONS

When planning track configurations, the primary recommended considerations are:

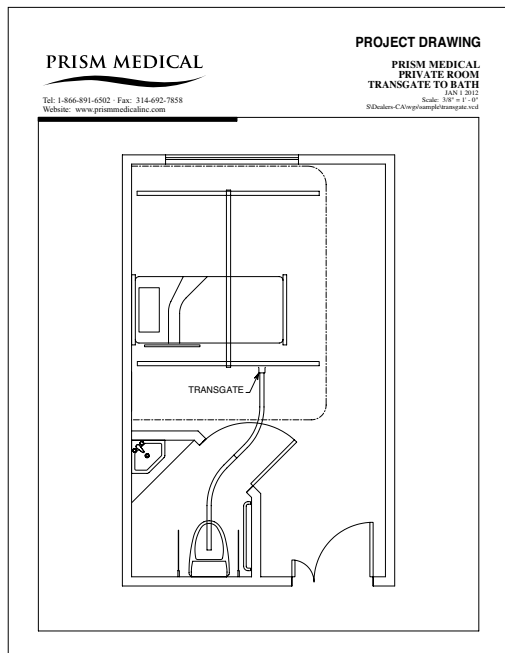
- Coverage area for patient handling
- Mobility/Maneuverability requirements
- Ability of track configuration to meet coverage and healthcare needs for today's and tomorrow's patient/resident population.

For effective and safe patient handling, track configurations should meet the required coverage area to perform all necessary patient handling tasks. Otherwise, caregivers may be reluctant to use the lifts, limiting compliance to policy. Consequently, this could impact the potential return on investment. In terms of configurations, there are a number of standard layouts. The following are typical examples of track layouts and can be customized to meet the requirements of any specific situation.

We have put two indicators below, both on a scale of 1-5:

- the "\$" signs are a general indicator of cost.
- the "★" indicate the level of clinical flexibility.

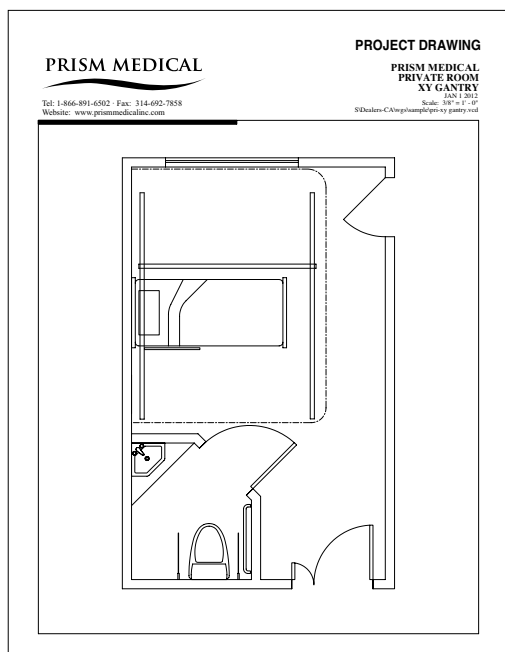
The pricing and clinical guidelines indicated below are relevant to patient room settings. The structure, room layout and clinical application will also be factors for consideration.



### X-Y GANTRY CEILING TRACK WITH ACCESS TO TOILET

The room covering X-Y gantry system allows for complete coverage beneath the X-Y rail system. Access can be gained to an adjacent room with the use of a Gate Assembly, allowing the caregiver to take the client directly from bed/chair to any point in the adjacent room. The X-Y gantry offers flexibility with respect to furniture location and offers improved clinical effectiveness, particular for repositioning a client in bed. Door openings will require modification to accommodate the track and lift travel.

\$\$\$\$\$  
★★★★★



### X - Y GANTRY CEILING TRACK

A three piece system with two parallel fixed rails and a perpendicular moving "boom" permitting coverage under the entire X-Y rail system. Advantages include optimal flexibility (easily made adjustments; front to back and side to side), full coverage of the bed, easy transfer to chair and pick up from the floor. Furniture location can also be altered with no impact to transfer capability.

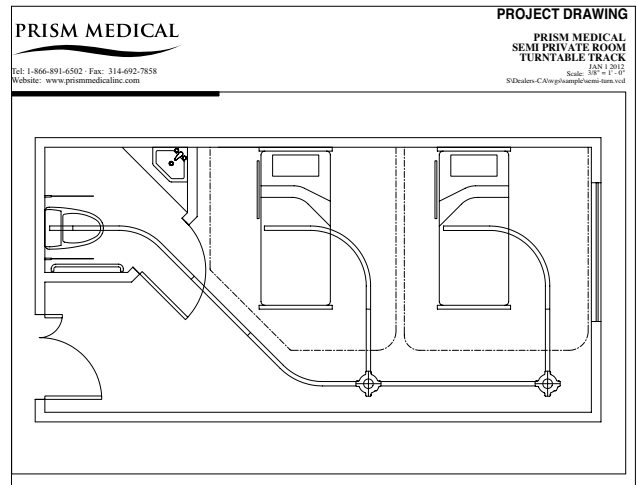
\$\$\$  
★★★★★

# ASSESSMENT

## LINEAR TRACK WITH TURNTABLE

A linear track with curved rail and turntable(s) enables mobility along the line of the track. The turntable allows the user to change the direction of the lift system. This is suitable for rooms with multiple beds or if there is the requirement for several transfer points. Limitations include reduced coverage (along track line only) and reduced repositioning capabilities.

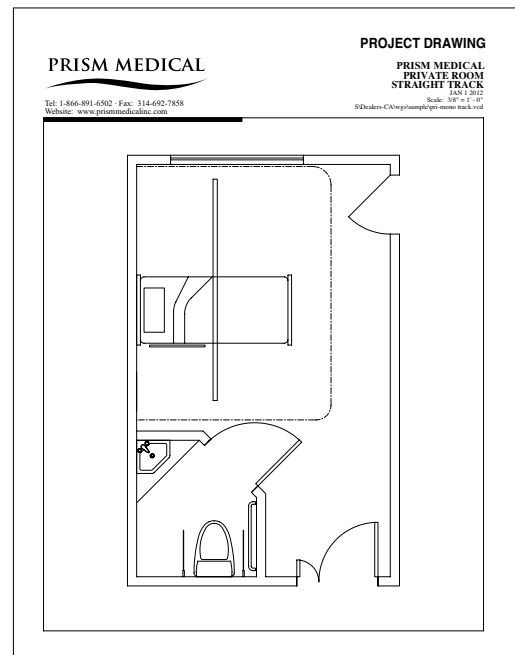
\$\$\$\$  
☆☆☆



## STRAIGHT MONORAIL

A single rail, typically running perpendicular to the bed, provides coverage from bed to chair. Limited in coverage, repositioning options, and flexibility of furniture location. Where required, can be put at an angle to access a more suitable transfer area.

\$  
☆



## J-TRACK

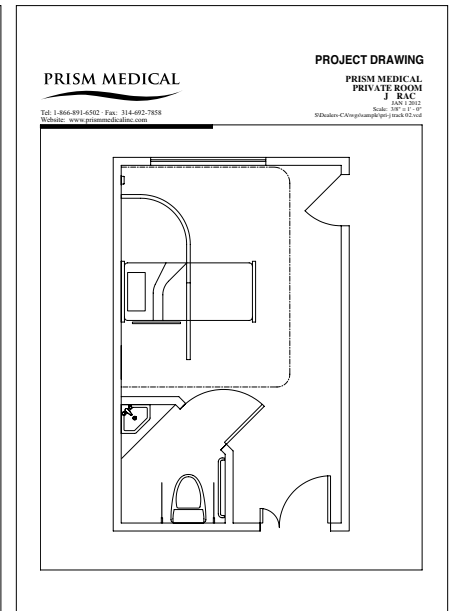
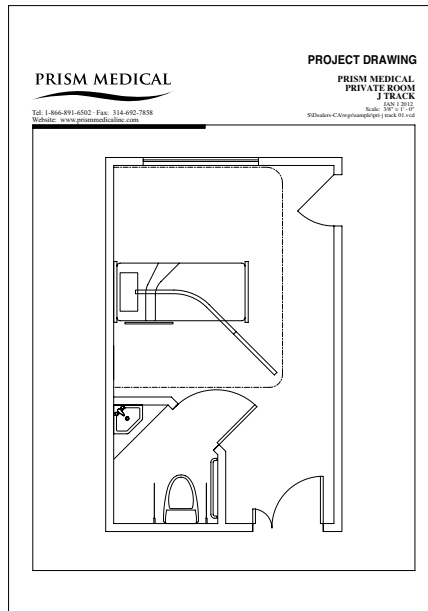
A single straight rail and curved track in the shape of a J. Provides coverage from bed to chair or stretcher, and aids in repositioning. Limited in coverage area and maneuverability options.

\$\$  
☆☆

## J-TRACK (OPTION B)

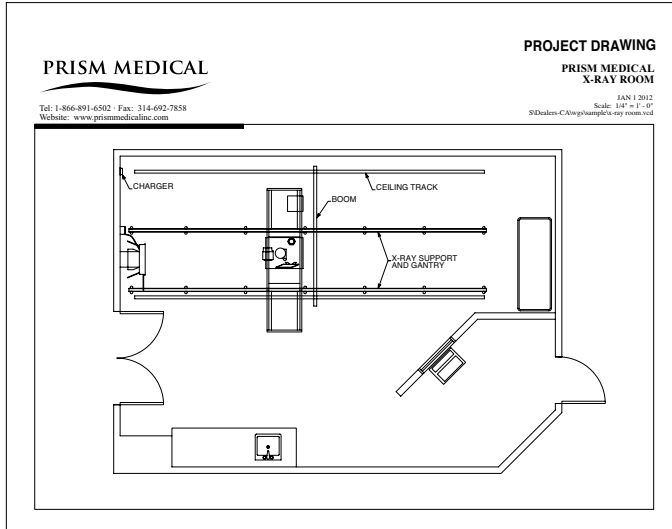
A single rail and curved track in the shape of a J. The version provides the same clinical effectiveness as a Straight Monorail with the curved portion offering a more suitable charging/docking station in many cases.

\$\$  
☆



## ROOM LAYOUTS

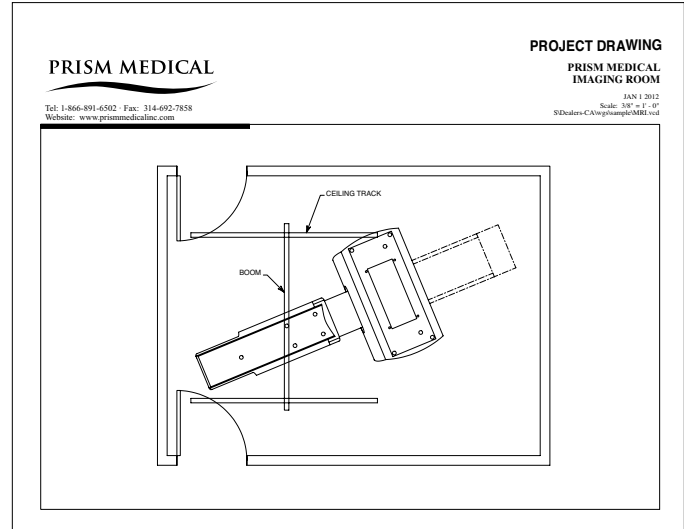
The following are sample room track configurations for different medical areas. Different needs (listed below) in each area require a ceiling lift system designed to meet safe transfer requirements for staff and patients.



### X-RAY ROOM

Requirements in X-Ray

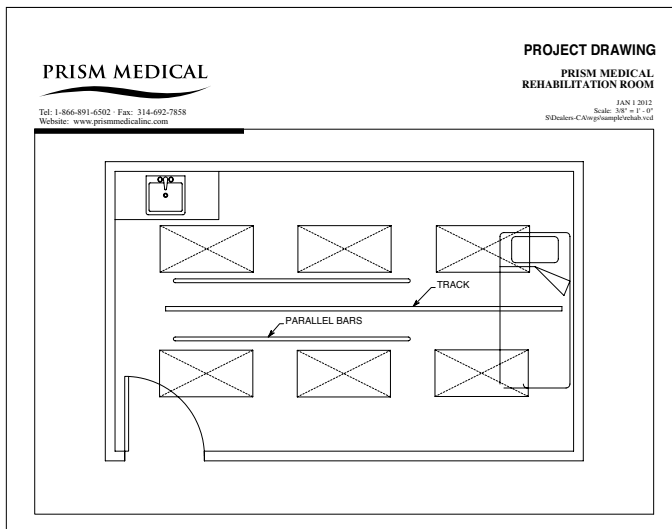
- Transfer from wheelchair or stretcher to and from table
- Support by the x-ray unit



### IMAGING ROOM

Requirements in CAT Scan Rooms

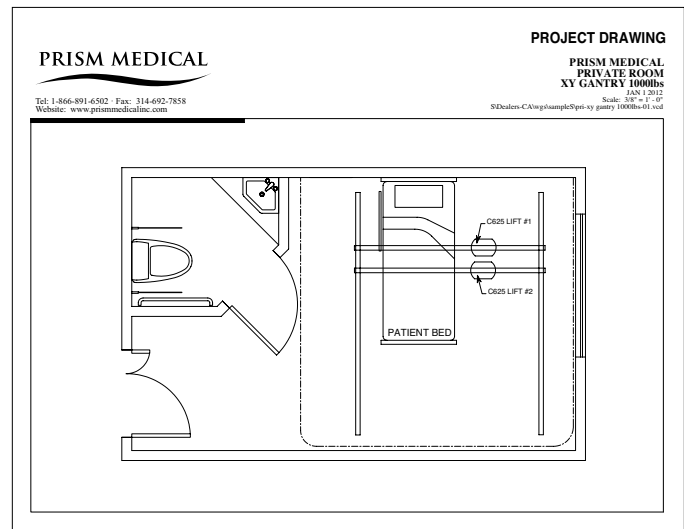
- Transfer from wheelchair or stretcher to and from table



### REHABILITATION

Requirements for Rehabilitation

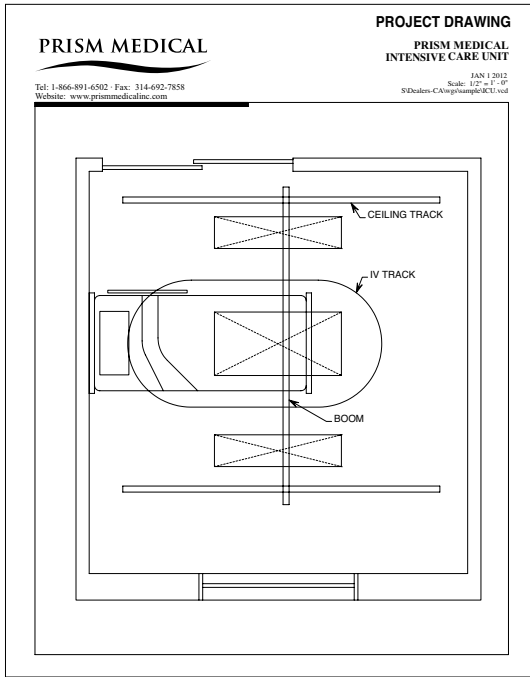
- Walking sling for use with parallel bars and to provide safety support on stress test treadmill
- Stand assist sling
- Transfer to plinth for seating assessments and physical therapy



### BIATRIC APPLICATIONS

- In most cases, bariatric clients have health related issues that need to be considered during the transfer process. As such, the use of a standard single ceiling lift unit application is not feasible
- Two C-625 ceiling lifts operating independently allow the caregiver the flexibility to control client's body position.
- Weight capacity up to 1,000 lbs.
- Flexibility of an X-Y gantry system
- Standard slings are rated up to 800 lbs. Consideration needs to be given to sling design and application.

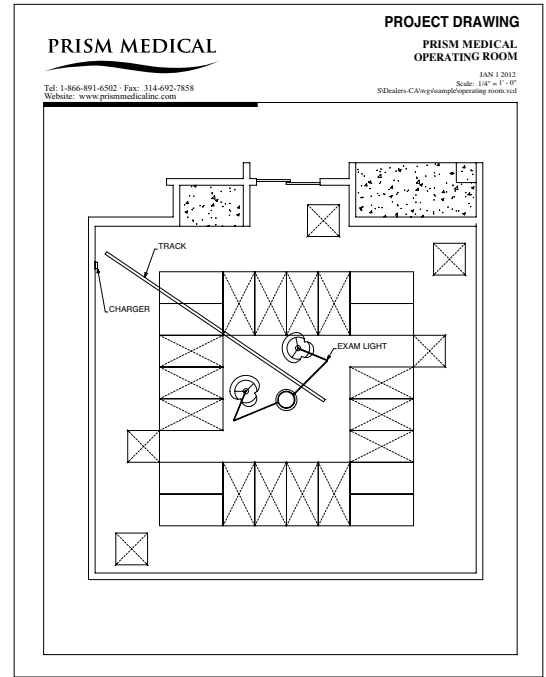
# ASSESSMENT



## INTENSIVE CARE UNIT

Patient Handling Requirements for Intensive and Critical Care Units

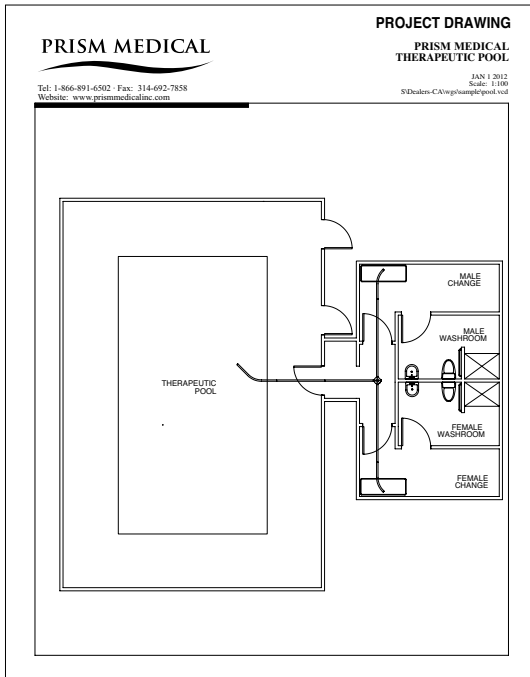
- Transfer stretcher to bed
- Bed to chair or commode
- Repositioning in bed
- Diagnostics (imaging)
- Change bed linen



## OPERATING ROOM

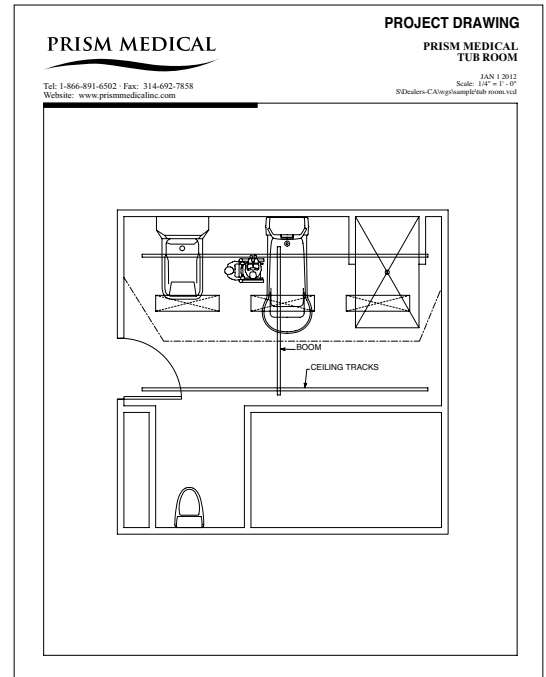
Main Functional Requirements During Surgical Operations

- Transfer to O.R. table
- Transfer supine patient from table to stretcher
- Turn patient if required



## POOL

- Change room transfers
- Access into and out of pool and hot tub



## TUB ROOM

Bathing Transfers

- Wheelchair/stretcher to and from tub/toilet
- Bather support in tub

## PRISM MEDICAL'S COMPLETE SOLUTIONS PROGRAM

Prism Medical is committed to providing long-term solutions for injury prevention. As a result, Prism Medical is a dedicated advocate of “minimal-lift” and is pleased to offer a complete solutions program. Through this program, Prism Medical will become a committed member of your team, working towards the elimination of injuries, resulting from patient lifting, transferring and repositioning.

The Prism Medical solutions-based program is predicated on years of experience in safe patient handling. The goal of the program is the elimination of injuries resulting from patient handling and repositioning.

The foundation of a successful safe patient handling program is based on the following:

- Policy Development
- Assessment(s)
- Equipment
- Training and Education
- Compliance

Prism Medical provides the following as part of our program- approach to injury reduction:

### ASSESSMENT AND PLANNING:

- Detailed design and planning with our experienced staff
- Full set of plans, full structural designs and drawings
- Engineering approvals and stamped drawings, as required
- Privacy curtain layout design
- Initial facility consultation
- Client assessment review
- Injury statistic review

### QUALITY PRODUCTS:

- Comprehensive product range to address the complete transfer needs of the facility or home.
- Equipment and System Design

### INSTALLATION:

- Full installation service and coordination, project management team heading all processes
- Arrangement for minimal disruption during installation
- Experienced installers sensitive to the healthcare environment provide high quality service
- Installation under requirements of Infection Control Standard Can/CSA Z317.13-03

### TRAINING:

- Staff training includes lift operations, track function, sling usage and different sling applications in a hands on session
- Training DVD with training program modules
- Policy development
- Assessment tool development
- Compliance monitoring
- Train-the-trainer/master training

Prism Medical's Program is a flexible, dynamic system that accommodates the variety of needs within a facility or home. Together, we will work toward a common goal - *the elimination of injuries related to patient lifting, transferring and repositioning.*

# TRAINING & SUPPORT

## PRISM MEDICAL'S INSTALLATION

Recognized by Prism Medical as one of the key elements to the implementation of any Safe Patient Handling Program, the installation of your ceiling lift system is a critical part of the overall success of any program.

Successful installation requires a company that understands the impact that this temporary construction process has on your facility. Prism Medical's years of expertise will ensure that the impact of the installation process on your facilities' operations is minimized. Our installation process will be designed in a manner that is fully respectful and flexible around each facility's needs.

At the conclusion of the installation process, all tracks and components will be fully safety inspected prior to being put into use. A checklist is completed and a copy provided to the facility for their records.

## PRISM MEDICAL'S PREVENTATIVE MAINTENANCE

Prism Medical provides Preventative Maintenance Agreements to ensure our products are operational at a satisfactory level. We understand that each facility's needs for service and maintenance are different which is why Prism Medical provides the ability to customize your PM Agreement. Generally, an agreement includes parts (excluding batteries and soft goods), on site labor, preventative maintenance and safety inspections with load testing. For more detailed information refer to our complete Preventative Maintenance Program.

## PRISM MEDICAL WITH YOU FOR THE LONG-TERM

Sourcing equipment is easy. Companies will gladly sell you their product. Few however, offer a truly comprehensive service package with consultation, planning, installation, implementation, training and maintenance, and continue this relationship with the customer over many years. Prism Medical has been doing just that, having been at the forefront of ceiling lift installations in North America for over 25 years. Prism Medical has acquired the experience and tools needed to effectively plan, implement and maintain Safe Patient Handling Programs in all types and sizes of facilities and homecare environments.

While our relationship with our customers begins at the consultation stage, it does not end once the final lift system has been installed. Our success has resulted from ensuring that customers' needs are met through the delivery of effective systems and ongoing support. Quality of care, innovative products and service are our highest priorities.



[www.prismmedicalinc.com](http://www.prismmedicalinc.com)

United States | 45 Progress Parkway St. Louis, MO 63043 | T 866.891.6502 | 314.692.9135 | F 314.692.7858

All Rights Reserved ©2012 Prism Medical Ltd. 12V1